

panel mounting socket outlet, angled - flange 100x92,
fixing centers 85x77

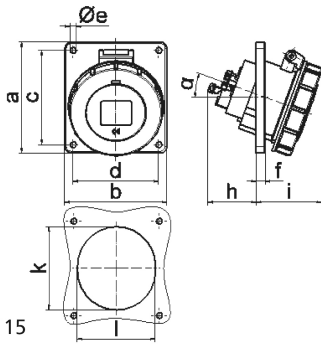


Product description	
BALS-Prd.-Nr	12835
EAN	4024941128353
Product category	Panel mounting socket outlet Quick-Connect, angled
Current	16A
Number of poles	4p
Arrangement of phases	3P+PE
Position of earth contact	10 h
Voltage	> 50V~

Product description	
Frequency	100 - 300Hz
Protection degree	IP67
Colour code	green RAL 6002
Colour of appliance	Hinged lid green RAL 6002, Bayonet ring grey RAL 7035, Enclosure grey RAL 7035
Connection design	screwless spring terminals with Kontex-Kontakt
Maximum conductor size	4,0 qmm
Cable entry	other
Height	100mm
Width	92mm
Depth	98mm
Flange size vertical in mm	100mm
Flange size horizontal in mm	92mm
Drill hole dist. vertical mm	85mm
Drill hole dist. horizontal mm	77mm
Material of enclosure	Polyamide
Contacts	The contact carrier is made of polyamide, The contacts are brass

Additional technical information	
	The inclination is 20°

Logistics data	
Weight/pcs	0.164 kg / Piece
Packaging	Bag
Content amount	1 ST
EAN	4024941128353
Length	98 mm
Width	92 mm
Height	100 mm
Weight	0.165 kg
Volume	901.6 ccm
Packaging	Carton
Content amount	10 ST
EAN	4024941830669
Length	245 mm
Width	177 mm
Height	185 mm
Weight	1.773 kg
Volume	7,140 ccm



Ampere	16	16	16	32	32	32
Polzahl	3	4	5	3	4	5
a	74,0	100,0	100,0	100,0	100,0	100,0
b	62,0	92,0	92,0	92,0	92,0	92,0
c	60,0	85,0	85,0	85,0	85,0	85,0
d	52,0	77,0	77,0	77,0	77,0	77,0
e ø	5,5	5,5	5,5	5,5	5,5	5,5
f	8,0	8,0	8,0	8,0	8,0	8,0
h	46,0	46,0	46,0	55,0	55,0	55,0
i	57,0	57,0	60,0	65,0	65,0	69,0
k	57,0	65,0	70,0	75,0	75,0	78,0
l	52,0	65,0	70,0	75,0	75,0	78,0
α	20°	20°	20°	20°	20°	20°
Leiter mm² min	1,5	1,5	1,5	2,5	2,5	2,5
Leiter mm² max	4	4	4	10	10	10