

panel mounting socket outlet, angled - flange 85x85,  
fixing centers 70x70

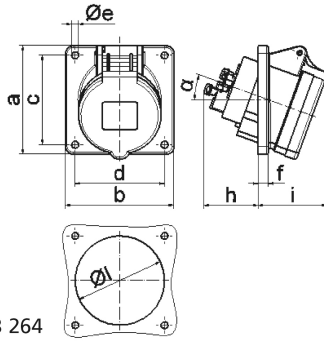


Product description	
BALS-Prd.-Nr	12861
EAN	4024941128612
Product category	Panel mounting socket outlet Quick-Connect, angled
Current	16A
Number of poles	3p
Arrangement of phases	2P+PE
Position of earth contact	10 h
Voltage	> 50V~

Product description	
Frequency	100 - 300Hz
Protection degree	IP44
Colour code	green RAL 6002
Colour of appliance	Hinged lid green RAL 6002, Enclosure grey RAL 7035
Connection design	screwless spring terminals with Kontex-Kontakt
Maximum conductor size	4,0 qmm
Cable entry	other
Height	85mm
Width	85mm
Depth	103mm
Flange size vertical in mm	85mm
Flange size horizontal in mm	85mm
Drill hole dist. vertical mm	70mm
Drill hole dist. horizontal mm	70mm
Material of enclosure	Polyamide
Contacts	The contact carrier is made of polyamide, The contacts are brass

Additional technical information	
	The inclination is 20°

Logistics data	
Weight/pcs	0.12 kg / Piece
Packaging	Bag
Content amount	1 ST
EAN	4024941128612
Length	103 mm
Width	85 mm
Height	85 mm
Weight	0.121 kg
Volume	744.175 ccm
Packaging	Carton
Content amount	10 ST
EAN	4024941829489
Length	245 mm
Width	177 mm
Height	185 mm
Weight	1.333 kg
Volume	7,140 ccm



4 MB 264

Ampere	16	16	16	32	32	32
Polzahl	3	4	5	3	4	5
a	85,0	85,0	85,0	85,0	85,0	85,0
b	85,0	85,0	85,0	85,0	85,0	85,0
c	70,0	70,0	70,0	70,0	70,0	70,0
d	70,0	70,0	70,0	70,0	70,0	70,0
e ø	5,5	5,5	5,5	5,5	5,5	5,5
f	8,0	8,0	8,0	8,0	8,0	8,0
h	46,0	46,0	46,0	55,0	55,0	55,0
i	50,0	51,0	54,0	60,0	60,0	60,0
l ø	57,0	65,0	70,0	78,0	78,0	78,0
α	20°	20°	20°	20°	20°	20°
Leiter mm <sup>2</sup> min	1,5	1,5	1,5	2,5	2,5	2,5
Leiter mm <sup>2</sup> max	4	4	4	10	10	10