

panel mounting socket outlet, angled - flange 85x85,  
fixing centers 70x70

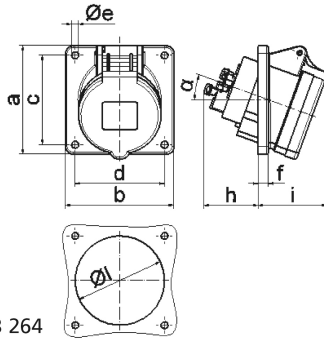


| Product description       |  |
|---------------------------|--|
| BALS-Prd.-Nr              | 12869  |
| EAN                       | 4024941128698                                      |
| Product category          | Panel mounting socket outlet Quick-Connect, angled |
| Current                   | 32A  |
| Number of poles           | 3p   |
| Arrangement of phases     | 2P+PE  |
| Position of earth contact | 2 h  |
| Voltage                   | > 50V~   |

| Product description            |  |
|--------------------------------|--|
| Frequency                      | > 300 - 500Hz  |
| Protection degree              | IP44   |
| Colour code                    | green RAL 6002   |
| Colour of appliance            | Hinged lid green RAL 6002, Enclosure grey RAL 7035               |
| Connection design              | screwless spring terminals with Kontex-Kontakt                   |
| Maximum conductor size         | 10,0 qmm   |
| Cable entry                    | other  |
| Height                         | 94mm   |
| Width                          | 85mm   |
| Depth                          | 118mm  |
| Flange size vertical in mm     | 85mm   |
| Flange size horizontal in mm   | 85mm   |
| Drill hole dist. vertical mm   | 70mm   |
| Drill hole dist. horizontal mm | 70mm   |
| Material of enclosure          | Polyamide  |
| Contacts                       | The contact carrier is made of polyamide, The contacts are brass |

| Additional technical information |                        |
|----------------------------------|------------------------|
|                                  | The inclination is 20° |

| Logistics data |                  |
|----------------|------------------|
| Weight/pcs     | 0.185 kg / Piece |
| Packaging      | Bag              |
| Content amount | 1 ST             |
| EAN            | 4024941128698    |
| Length         | 118 mm           |
| Width          | 85 mm            |
| Height         | 94 mm            |
| Weight         | 0.186 kg         |
| Volume         | 942.82 ccm       |
| Packaging      | Carton           |
| Content amount | 10 ST            |
| EAN            | 4024941829557    |
| Length         | 128 mm           |
| Width          | 225 mm           |
| Height         | 399 mm           |
| Weight         | 2.109 kg         |
| Volume         | 11,491.2 ccm     |



4 MB 264

| Ampere                     | 16   | 16   | 16   | 32   | 32   | 32   |
|----------------------------|------|------|------|------|------|------|
| Polzahl                    | 3    | 4    | 5    | 3    | 4    | 5    |
| a                          | 85,0 | 85,0 | 85,0 | 85,0 | 85,0 | 85,0 |
| b                          | 85,0 | 85,0 | 85,0 | 85,0 | 85,0 | 85,0 |
| c                          | 70,0 | 70,0 | 70,0 | 70,0 | 70,0 | 70,0 |
| d                          | 70,0 | 70,0 | 70,0 | 70,0 | 70,0 | 70,0 |
| e ø                        | 5,5  | 5,5  | 5,5  | 5,5  | 5,5  | 5,5  |
| f                          | 8,0  | 8,0  | 8,0  | 8,0  | 8,0  | 8,0  |
| h                          | 46,0 | 46,0 | 46,0 | 55,0 | 55,0 | 55,0 |
| i                          | 50,0 | 51,0 | 54,0 | 60,0 | 60,0 | 60,0 |
| l ø                        | 57,0 | 65,0 | 70,0 | 78,0 | 78,0 | 78,0 |
| α                          | 20°  | 20°  | 20°  | 20°  | 20°  | 20°  |
| Leiter mm <sup>2</sup> min | 1,5  | 1,5  | 1,5  | 2,5  | 2,5  | 2,5  |
| Leiter mm <sup>2</sup> max | 4    | 4    | 4    | 10   | 10   | 10   |