

# Panel mounting socket outlet straight - flange 75x75 fixing centers 60x60

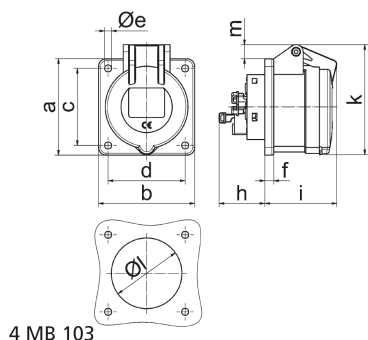


Product description	
BALS-Prd.-Nr	130077
EAN	4024941143431
Product category	TE panel mounting socket outlet QUICK-CONNECT, straight
Current	16A
Number of poles	4p
Arrangement of phases	3P+PE
Position of earth contact	1 h

Product description	
Voltage	> 50V for all other not classified voltages and/or frequencies. This time position can additionally process in special applications, in which a distinction to standardized positions needed to be used.
Protection degree	IP44
Colour code	grey RAL 7035
Colour of appliance	Hinged lid grey RAL 7035, Enclosure grey RAL 7035
Connection design	screwless spring terminals with KONTEX-contact
Maximum conductor size	4,0 qmm
Cable entry	other
Height	82mm
Width	75mm
Depth	88mm
Flange size vertical in mm	75mm
Flange size horizontal in mm	75mm
Drill hole dist. vertical mm	60mm
Drill hole dist. horizontal mm	60mm
Material of enclosure	Polyamide
Contacts	the contact carrier is made of high temperature resistant material, the contacts are brass nickel plated

Logistics data	
Weight/pcs	0.13 kg / Piece
Packaging	Bag

Logistics data	
Content amount	1 ST
EAN	4024941143431
Length	88 mm
Width	75 mm
Height	82 mm
Weight	0.131 kg
Volume	541.2 ccm
Packaging	Carton
Content amount	10 ST
EAN	4024941836135
Length	245 mm
Width	177 mm
Height	185 mm
Weight	1.433 kg
Volume	7,140 ccm



Ampere Polzahl	16 3	16 4	16 5	32 3	32 4	32 5
a	75,0	75,0	75,0	75,0	75,0	75,0
b	75,0	75,0	75,0	75,0	75,0	75,0
c	60,0	60,0	60,0	60,0	60,0	60,0
d	60,0	60,0	60,0	60,0	60,0	60,0
e ø	5,5	5,5	5,5	5,5	5,5	5,5
f	7,0	7,0	7,0	8,0	8,0	8,0
h	35,5	35,5	35,5	50,0	50,0	50,0
i	52,0	53,0	57,0	65,0	65,0	66,0
k	71,5	80,0	86,0	91,0	91,0	99,0
l ø	45,0	45,0	55,0	60,0	60,0	60,0
m	3,5	7,0	11,5	12,0	12,0	17,0
Leiter mm <sup>2</sup> min	1,5	1,5	1,5	2,5	2,5	2,5
Leiter mm <sup>2</sup> max	4	4	4	10	10	10