

panel mounting socket outlet, straight - flange 75x75,  
fixing centers 60x60

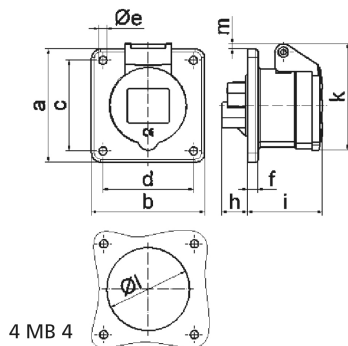


| Product description       |  |
|---------------------------|--|
| BALS-Prd.-Nr              | 13012                                  |
| EAN                       | 4024941130127                          |
| Product category          | Panel mounting socket outlet, straight |
| Current                   | 32A                                    |
| Number of poles           | 4p                                     |
| Arrangement of phases     | 3P+PE                                  |
| Position of earth contact | 7 h                                    |
| Voltage                   | 480 - 500V~                            |

| Product description            |  |
|--------------------------------|--|
| Frequency                      | 50/60Hz  |
| Protection degree              | IP44   |
| Colour code                    | black RAL 9005   |
| Colour of appliance            | Hinged lid black RAL 9005, Enclosure grey RAL 7035               |
| Connection design              | with screw terminal  |
| Maximum conductor size         | 10,0 qmm   |
| Cable entry                    | other  |
| Height                         | 90mm   |
| Width                          | 75mm   |
| Depth                          | 99mm   |
| Flange size vertical in mm     | 75mm   |
| Flange size horizontal in mm   | 75mm   |
| Drill hole dist. vertical mm   | 60mm   |
| Drill hole dist. horizontal mm | 60mm   |
| Material of enclosure          | Polyamide  |
| Contacts                       | The contact carrier is made of polyamide, The contacts are brass |

| Logistics data |                  |
|----------------|------------------|
| Weight/pcs     | 0.198 kg / Piece |
| Packaging      | Bag              |
| Content amount | 1 ST             |

| Logistics data |               |
|----------------|---------------|
| EAN            | 4024941130127 |
| Length         | 99 mm         |
| Width          | 75 mm         |
| Height         | 90 mm         |
| Weight         | 0.199 kg      |
| Volume         | 668.25 ccm    |
| Packaging      | Carton        |
| Content amount | 10 ST         |
| EAN            | 4024941821087 |
| Length         | 245 mm        |
| Width          | 177 mm        |
| Height         | 185 mm        |
| Weight         | 2.113 kg      |
| Volume         | 7,140 ccm     |



| Ampere Polzahl             | 16<br>3 | 16<br>4 | 16<br>5 | 32<br>3 | 32<br>4 | 32<br>5 |
|----------------------------|---------|---------|---------|---------|---------|---------|
| a                          | 75,0    | 75,0    | 75,0    | 75,0    | 75,0    | 75,0    |
| b                          | 75,0    | 75,0    | 75,0    | 75,0    | 75,0    | 75,0    |
| c                          | 60,0    | 60,0    | 60,0    | 60,0    | 60,0    | 60,0    |
| d                          | 60,0    | 60,0    | 60,0    | 60,0    | 60,0    | 60,0    |
| e ø                        | 5,5     | 5,5     | 5,5     | 5,5     | 5,5     | 5,5     |
| f                          | 7,0     | 7,0     | 7,0     | 8,0     | 8,0     | 8,0     |
| h                          | 17,0    | 26,0    | 17,0    | 36,0    | 36,0    | 19,0    |
| i                          | 51,0    | 53,0    | 53,0    | 62,0    | 62,0    | 62,0    |
| k                          | 70,0    | 80,0    | 85,0    | 90,0    | 90,0    | 98,0    |
| l ø                        | 45,0    | 45,0    | 55,0    | 60,0    | 60,0    | 60,0    |
| m                          | 3,5     | 7,0     | 11,5    | 12,0    | 12,0    | 17,0    |
| Leiter mm <sup>2</sup> min | 1,5     | 1,5     | 1,5     | 2,5     | 2,5     | 2,5     |
| Leiter mm <sup>2</sup> max | 4       | 4       | 4       | 10      | 10      | 10      |