

Event panel mounted socket straight, black - for event technology

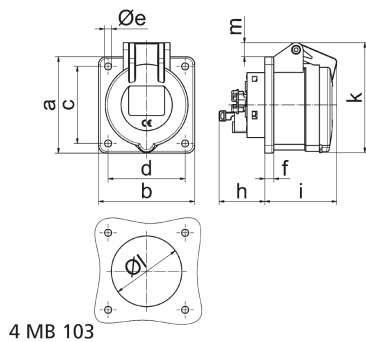


Product description	
BALS-Prd.-Nr	130269
EAN	4024941950688
Product category	Panel mounting socket outlet Quick-Connect, straight
Current	16A
Number of poles	3p
Arrangement of phases	2P+PE
Position of earth contact	6 h
Voltage	200 - 250V~

Product description	
Frequency	50/60Hz
Protection degree	IP44
Colour code	blue RAL 5015
Colour of appliance	Hinged lid black RAL 9005, Enclosure black RAL 9005
Connection design	screwless spring terminals with Kontex-Kontakt
Maximum conductor size	4,0 qmm
Cable entry	other
Height	78.5mm
Width	75mm
Depth	88mm
Flange size vertical in mm	75mm
Flange size horizontal in mm	75mm
Drill hole dist. vertical mm	60mm
Drill hole dist. horizontal mm	60mm
Material of enclosure	Polyamide
Contacts	The contact carrier is made of high temperature resistant material, The contacts are brass

Logistics data	
Weight/pcs	0.113 kg / Piece
Packaging	Bag
Content amount	1 ST

Logistics data	
EAN	4024941950688
Length	88 mm
Width	75 mm
Height	78.5 mm
Weight	0.114 kg
Volume	518.1 ccm
Packaging	Carton
Content amount	10 ST
EAN	4024941840255
Length	275 mm
Width	175 mm
Height	137 mm
Weight	1.255 kg
Volume	5,737.5 ccm



4 MB 103

Ampere Polzahl	16 3	16 4	16 5	32 3	32 4	32 5
a	75,0	75,0	75,0	75,0	75,0	75,0
b	75,0	75,0	75,0	75,0	75,0	75,0
c	60,0	60,0	60,0	60,0	60,0	60,0
d	60,0	60,0	60,0	60,0	60,0	60,0
e ø	5,5	5,5	5,5	5,5	5,5	5,5
f	7,0	7,0	7,0	8,0	8,0	8,0
h	35,5	35,5	35,5	50,0	50,0	50,0
i	52,0	53,0	57,0	65,0	65,0	66,0
k	71,5	80,0	86,0	91,0	91,0	99,0
l ø	45,0	45,0	55,0	60,0	60,0	60,0
m	3,5	7,0	11,5	12,0	12,0	17,0
Leiter mm ² min	1,5	1,5	1,5	2,5	2,5	2,5
Leiter mm ² max	4	4	4	10	10	10