

Event panel mounted socket straight, black - for event technology

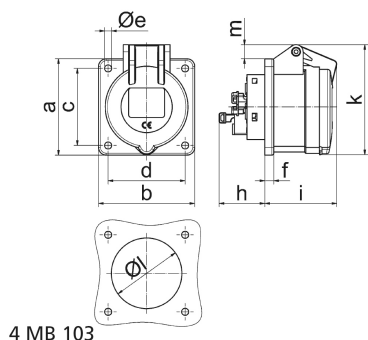


| Product description | |
|---------------------------|--|
| BALS-Prd.-Nr | 130270 |
| EAN | 4024941938891 |
| Product category | Panel mounting socket outlet Quick-Connect, straight |
| Current | 16A |
| Number of poles | 4p |
| Arrangement of phases | 3P+PE |
| Position of earth contact | 6 h |
| Voltage | 380 - 415V~ |

| Product description | |
|--------------------------------|--|
| Frequency | 50/60Hz |
| Protection degree | IP44 |
| Colour code | red RAL 3000 |
| Colour of appliance | Hinged lid black RAL 9005, Enclosure black RAL 9005 |
| Connection design | screwless spring terminals with Kontex-Kontakt |
| Maximum conductor size | 4,0 qmm |
| Cable entry | other |
| Height | 80mm |
| Width | 75mm |
| Depth | 89mm |
| Flange size vertical in mm | 75mm |
| Flange size horizontal in mm | 75mm |
| Drill hole dist. vertical mm | 60mm |
| Drill hole dist. horizontal mm | 60mm |
| Material of enclosure | Polyamide |
| Contacts | The contact carrier is made of high temperature resistant material, the contacts are brass nickel plated |

| Logistics data | |
|----------------|-----------------|
| Weight/pcs | 0.15 kg / Piece |
| Packaging | Bag |

| Logistics data | |
|----------------|---------------|
| Content amount | 1 ST |
| EAN | 4024941938891 |
| Length | 89 mm |
| Width | 75 mm |
| Height | 80 mm |
| Weight | 0.151 kg |
| Volume | 534 ccm |
| Packaging | Carton |
| Content amount | 10 ST |
| EAN | 4024941840279 |
| Length | 245 mm |
| Width | 177 mm |
| Height | 185 mm |
| Weight | 1.633 kg |
| Volume | 7,140 ccm |



4 MB 103

| Ampere Polzahl | 16 3 | 16 4 | 16 5 | 32 3 | 32 4 | 32 5 |
|----------------------------|---------|---------|---------|---------|---------|---------|
| a | 75,0 | 75,0 | 75,0 | 75,0 | 75,0 | 75,0 |
| b | 75,0 | 75,0 | 75,0 | 75,0 | 75,0 | 75,0 |
| c | 60,0 | 60,0 | 60,0 | 60,0 | 60,0 | 60,0 |
| d | 60,0 | 60,0 | 60,0 | 60,0 | 60,0 | 60,0 |
| e ø | 5,5 | 5,5 | 5,5 | 5,5 | 5,5 | 5,5 |
| f | 7,0 | 7,0 | 7,0 | 8,0 | 8,0 | 8,0 |
| h | 35,5 | 35,5 | 35,5 | 50,0 | 50,0 | 50,0 |
| i | 52,0 | 53,0 | 57,0 | 65,0 | 65,0 | 66,0 |
| k | 71,5 | 80,0 | 86,0 | 91,0 | 91,0 | 99,0 |
| l ø | 45,0 | 45,0 | 55,0 | 60,0 | 60,0 | 60,0 |
| m | 3,5 | 7,0 | 11,5 | 12,0 | 12,0 | 17,0 |
| Leiter mm ² min | 1,5 | 1,5 | 1,5 | 2,5 | 2,5 | 2,5 |
| Leiter mm ² max | 4 | 4 | 4 | 10 | 10 | 10 |