

Panel mounting socket outlet straight - DC - flange 75x75 fixing centers 60x60

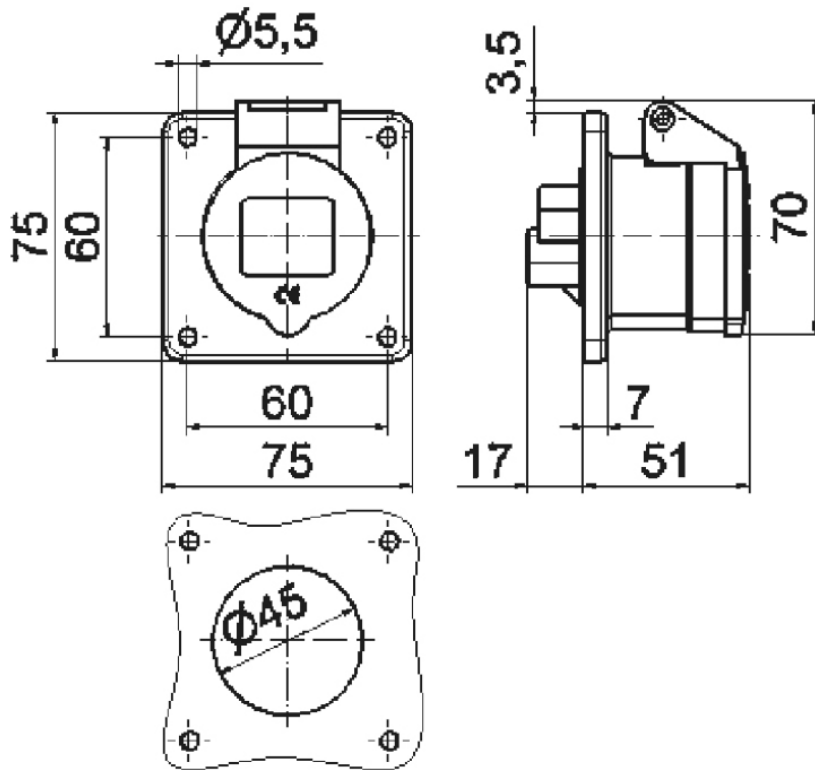


Product description	
BALS-Prd.-Nr	13070
EAN	4024941130707
Product category	Panel mounting socket outlet, straight
Current	16A
Number of poles	3p
Arrangement of phases	2P+PE
Position of earth contact	3 h
Voltage	> 50 - 250V DC

Product description	
Frequency	DC
Protection degree	IP44
Colour code	grey RAL 7035
Colour of appliance	Hinged lid grey RAL 7035, Enclosure grey RAL 7035
Connection design	with screw terminal
Maximum conductor size	4,0 qmm
Cable entry	other
Height	75mm
Width	75mm
Depth	66.5mm
Flange size vertical in mm	75mm
Flange size horizontal in mm	75mm
Drill hole dist. vertical mm	60mm
Drill hole dist. horizontal mm	60mm
Material of enclosure	Polyamide
Contacts	the contact carrier is made of high temperature resistant material, the contacts are brass nickel plated

Logistics data	
Weight/pcs	0.117 kg / Piece
Packaging	Bag
Content amount	1 ST

Logistics data	
EAN	4024941130707
Length	66.5 mm
Width	75 mm
Height	75 mm
Weight	0.118 kg
Volume	374.063 ccm
Packaging	Carton
Content amount	10 ST
EAN	4024941821223
Length	275 mm
Width	175 mm
Height	137 mm
Weight	1.295 kg
Volume	5,737.5 ccm



4 MB 74