

panel mounting socket outlet, straight - flange 90x90,
fixing centers 60x60

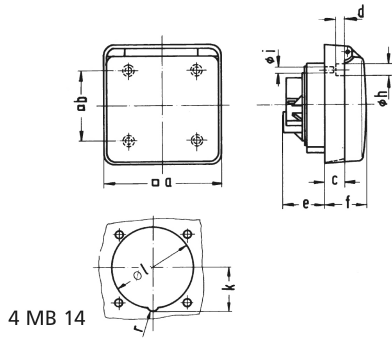


Product description	
BALS-Prd.-Nr	13146-BE
EAN	4024941945707
Product category	Panel mounting socket outlet, straight
Current	32A
Number of poles	5p
Arrangement of phases	3p+N+PE
Position of earth contact	6 h
Voltage	200/346 - 240/415V~

Product description	
Frequency	50/60Hz
Protection degree	IP44
Colour code	red RAL 3000
Colour of appliance	Hinged lid grey RAL 7035, Enclosure grey RAL 7035
Connection design	with screw terminal
Maximum conductor size	10,0 qmm
Cable entry	other
Height	90mm
Width	90mm
Depth	70.5mm
Flange size vertical in mm	90mm
Flange size horizontal in mm	90mm
Drill hole dist. vertical mm	60mm
Drill hole dist. horizontal mm	60mm
Material of enclosure	Polyamide
Contacts	The contact carrier is made of polyamide, the contacts are brass nickel plated

Additional technical information	
	For mounting in cable trunkings

Logistics data	
Weight/pcs	0.287 kg / Piece
Packaging	Bag
Content amount	1 ST
EAN	4024941945707
Length	70.5 mm
Width	90 mm
Height	90 mm
Weight	0.288 kg
Volume	571.05 ccm
Packaging	Carton
Content amount	10 ST
EAN	4024941945714
Length	258 mm
Width	183 mm
Height	212 mm
Weight	3.019 kg
Volume	8,750 ccm



4 MB 14

Ampere Polzahl	16 3	16 5	32 5			
a □	91,0	91,0	90,0			
b □	70,0	70,0	60,0			
c	15,2	15,2	-			
d ø	2,7	2,7	-			
e	28,0	28,0	31,0			
f	36,0	36,0	39,5			
h ø	7,5	7,5	-			
i ø	4,8	4,8	4,1			
k	-	34,0	42,5			
l	54,0	64,0	75,0			
r	-	10,0	10,0			
Leiter mm ² min	1,5	1,5	2,5			
Leiter mm ² max	4	4	10			