

panel mounting socket outlet, straight - flange 72x65,
fixing centers 52x52

Abbildung ähnlich - similar picture

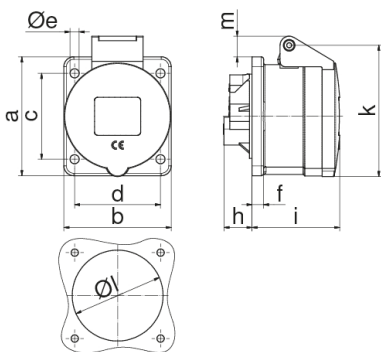


Product description	
BALS-Prd.-Nr	1320
EAN	4024941013208
Product category	Panel mounting socket outlet, straight
Current	16A
Number of poles	5p
Arrangement of phases	3p+N+PE
Position of earth contact	9 h
Voltage	120/208 - 144/250V~

Product description	
Frequency	50/60Hz
Protection degree	IP44
Colour code	blue RAL 5015
Colour of appliance	Hinged lid blue RAL 5015, Enclosure grey RAL 7035
Connection design	with screw terminal
Maximum conductor size	4,0 qmm
Cable entry	other
Height	85mm
Width	65mm
Depth	70mm
Flange size vertical in mm	72mm
Flange size horizontal in mm	65mm
Drill hole dist. vertical mm	52mm
Drill hole dist. horizontal mm	52mm
Material of enclosure	Polyamide
Contacts	The contact carrier is made of polyamide, The contacts are brass

Logistics data	
Weight/pcs	0.144 kg / Piece
Packaging	Bag
Content amount	1 ST

Logistics data	
EAN	4024941013208
Length	70 mm
Width	65 mm
Height	85 mm
Weight	0.145 kg
Volume	386.75 ccm
Packaging	Carton
Content amount	10 ST
EAN	4024941852975
Length	275 mm
Width	175 mm
Height	137 mm
Weight	1.565 kg
Volume	5,737.5 ccm



Ampere	16	32
Polzahl	4	5
a	72,0	72,0
b	65,0	65,0
c	52,0	52,0
d	52,0	52,0
Ø e	5,5	5,5
f	7,0	7,0
h	26,0	17,0
i	53,0	53,0
k	80,0	85,0
Ø l	45,0	55,0
m	9,0	13,0
Leiter mm ² min	1,5	2,5
Leiter mm ² max	4	10

Abbildung ähnlich - similar picture