

Panel mounting socket outlet straight - flange 72x65 fixing centers 52x52

Abbildung ähnlich - similar picture

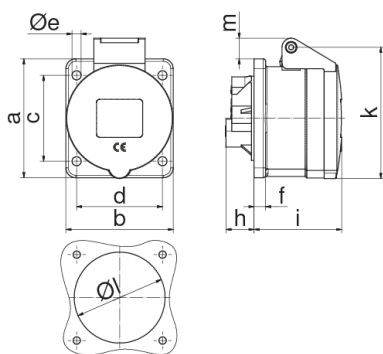


| Product description | |
|---------------------------|--|
| BALS-Prd.-Nr | 1320 |
| EAN | 4024941013208 |
| Product category | Panel mounting socket outlet, straight |
| Current | 16A |
| Number of poles | 5p |
| Arrangement of phases | 3p+N+PE |
| Position of earth contact | 9 h |
| Voltage | 120/208 - 144/250V~ |

| Product description | |
|--------------------------------|--|
| Frequency | 50/60Hz |
| Protection degree | IP44 |
| Colour code | blue RAL 5015 |
| Colour of appliance | Hinged lid blue RAL 5015, Enclosure grey RAL 7035 |
| Connection design | with screw terminal |
| Maximum conductor size | 4,0 qmm |
| Cable entry | other |
| Height | 85mm |
| Width | 65mm |
| Depth | 70mm |
| Flange size vertical in mm | 72mm |
| Flange size horizontal in mm | 65mm |
| Drill hole dist. vertical mm | 52mm |
| Drill hole dist. horizontal mm | 52mm |
| Material of enclosure | Polyamide |
| Contacts | the contact carrier is made of polyamide, the contacts are brass |

| Logistics data | |
|----------------|------------------|
| Weight/pcs | 0.144 kg / Piece |
| Packaging | Bag |
| Content amount | 1 ST |

| Logistics data | |
|----------------|---------------|
| EAN | 4024941013208 |
| Length | 70 mm |
| Width | 65 mm |
| Height | 85 mm |
| Weight | 0.145 kg |
| Volume | 386.75 ccm |
| Packaging | Carton |
| Content amount | 10 ST |
| EAN | 4024941852975 |
| Length | 275 mm |
| Width | 175 mm |
| Height | 137 mm |
| Weight | 1.565 kg |
| Volume | 5,737.5 ccm |



| Ampere | 16 | 32 |
|----------------------------|------|------|
| Polzahl | 4 | 5 |
| a | 72,0 | 72,0 |
| b | 65,0 | 65,0 |
| c | 52,0 | 52,0 |
| d | 52,0 | 52,0 |
| ø e | 5,5 | 5,5 |
| f | 7,0 | 7,0 |
| h | 26,0 | 17,0 |
| i | 53,0 | 53,0 |
| k | 80,0 | 85,0 |
| ø l | 45,0 | 55,0 |
| m | 9,0 | 13,0 |
| Leiter mm ² min | 1,5 | 2,5 |
| Leiter mm ² max | 4 | 10 |

Abbildung ähnlich - similar picture