

Panel mounting socket outlet straight - flange 107x100 fixing centers 85x77

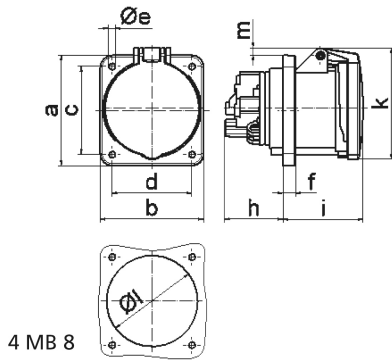


Product description	
BALS-Prd.-Nr	13320
EAN	4024941133203
Product category	Panel mounting socket outlet, straight
Current	63A
Number of poles	4p
Arrangement of phases	3P+PE
Position of earth contact	10 h
Voltage	> 50V~

Product description	
Frequency	100 - 300Hz
Protection degree	IP44
Colour code	green RAL 6002
Colour of appliance	Hinged lid green RAL 6002, Enclosure grey RAL 7035
Connection design	screw terminal as box terminal with Kontex-contact
Maximum conductor size	25.0 qmm
Cable entry	other
Height	114mm
Width	100mm
Depth	134mm
Flange size vertical in mm	107mm
Flange size horizontal in mm	100mm
Drill hole dist. vertical mm	85mm
Drill hole dist. horizontal mm	77mm
Material of enclosure	Polyamide
Contacts	the contact carrier is made of polyamide, the contacts are brass nickel plated

Logistics data	
Weight/pcs	0.485 kg / Piece
Packaging	Carton
Content amount	5 ST

Logistics data	
EAN	4024941829175
Length	258 mm
Width	183 mm
Height	212 mm
Weight	2.574 kg
Volume	8,750 ccm



Ampere	63	63	63			
Polzahl	3	4	5			
a	107,0	107,0	107,0			
b	100,0	100,0	100,0			
c	85,0	85,0	85,0			
d	77,0	77,0	77,0			
e ø	6,5	6,5	6,5			
f	12,0	12,0	12,0			
h	56,5	56,5	56,5			
i	77,0	77,0	77,0			
k	110,0	110,0	110,0			
l ø	88,0	88,0	88,0			
m	7,0	7,0	7,0			
Leiter mm ² min	6	6	6			
Leiter mm ² max	25	25	25			