

Panel mounting socket outlet straight - 7 poles flange 75x75

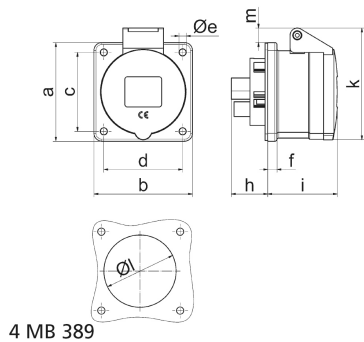


Product description	
BALS-Prd.-Nr	13327
EAN	4024941133272
Product category	TE panel mounting socket outlet, straight
Current	16A
Number of poles	7p
Arrangement of phases	6p+PE
Position of earth contact	6 h
Voltage	400V~

Product description	
Frequency	50/60Hz
Protection degree	IP44
Colour code	red RAL 3000
Colour of appliance	Hinged lid red RAL 3000, Enclosure grey RAL 7035
Connection design	with screw terminal
Maximum conductor size	4,0 qmm
Cable entry	other
Height	86mm
Width	75mm
Depth	71mm
Flange size vertical in mm	75mm
Flange size horizontal in mm	75mm
Drill hole dist. vertical mm	60mm
Drill hole dist. horizontal mm	60mm
Material of enclosure	Polyamide
Contacts	the contact carrier is made of high temperature resistant material, the contacts are brass nickel plated

Logistics data	
Weight/pcs	0.191 kg / Piece
Packaging	Bag
Content amount	1 ST

Logistics data	
EAN	4024941133272
Length	71 mm
Width	75 mm
Height	86 mm
Weight	0.192 kg
Volume	457.95 ccm
Packaging	Carton
Content amount	10 ST
EAN	4024941967532
Length	275 mm
Width	175 mm
Height	137 mm
Weight	2.035 kg
Volume	5,737.5 ccm



Ampere	16	32					
Polzahl	7	7					
a	75,0	75,0					
b	75,0	75,0					
c	60,0	60,0					
d	60,0	60,0					
e ø	5,5	5,5					
f	7,0	8,0					
h	28,0	38,0					
i	53,0	62,0					
k	85,0	98,0					
l ø	60,0	60,0					
m	11,0	17,0					
Leiter mm ² min	1,5	2,5					
Leiter mm ² max	4	10					