

Panel mounting socket outlet straight - 7 poles flange 75x75

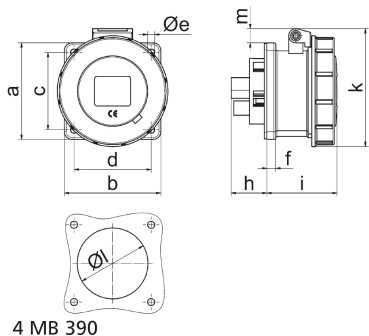


Product description	
BALS-Prd.-Nr	13330
EAN	4024941133302
Product category	TE panel mounting socket outlet, straight
Current	16A
Number of poles	7p
Arrangement of phases	6p+PE
Position of earth contact	9 h
Voltage	230V~

Product description	
Frequency	50/60Hz
Protection degree	IP67
Colour code	blue RAL 5015
Colour of appliance	Hinged lid blue RAL 5015, Bayonet ring grey RAL 7035, Enclosure grey RAL 7035
Connection design	with screw terminal
Maximum conductor size	4,0 qmm
Cable entry	other
Height	92mm
Width	86mm
Depth	72mm
Flange size vertical in mm	75mm
Flange size horizontal in mm	75mm
Drill hole dist. vertical mm	60mm
Drill hole dist. horizontal mm	60mm
Material of enclosure	Polyamide
Contacts	the contact carrier is made of high temperature resistant material, the contacts are brass nickel plated

Logistics data	
Weight/pcs	0.227 kg / Piece
Packaging	Bag

Logistics data	
Content amount	1 ST
EAN	4024941133302
Length	72 mm
Width	86 mm
Height	92 mm
Weight	0.228 kg
Volume	569.664 ccm
Packaging	Carton
Content amount	10 ST
EAN	4024941821377
Length	245 mm
Width	177 mm
Height	185 mm
Weight	2.403 kg
Volume	7,140 ccm



Ampere	16	32					
Polzahl	7	7					
a	75,0	75,0					
b	75,0	75,0					
c	60,0	60,0					
d	60,0	60,0					
e ø	5,5	5,5					
f	7,0	8,0					
h	17,0	19,0					
i	57,0	65,0					
k	93,0	106,0					
l ø	55,0	60,0					
m	11,5	17,0					
Leiter mm ² min	1,5	2,5					
Leiter mm ² max	4	10					