

Panel mounting socket outlet straight - 7 poles flange 75x75

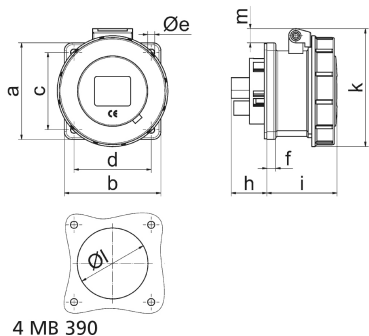


| Product description | |
|---------------------------|---|
| BALS-Prd.-Nr | 13331 |
| EAN | 4024941133319 |
| Product category | TE panel mounting socket outlet, straight |
| Current | 16A |
| Number of poles | 7p |
| Arrangement of phases | 6p+PE |
| Position of earth contact | 6 h |
| Voltage | 400V~ |

| Product description | |
|--------------------------------|--|
| Frequency | 50/60Hz |
| Protection degree | IP67 |
| Colour code | red RAL 3000 |
| Colour of appliance | Hinged lid red RAL 3000, Bayonet ring grey RAL 7035, Enclosure grey RAL 7035 |
| Connection design | with screw terminal |
| Maximum conductor size | 4,0 qmm |
| Cable entry | other |
| Height | 92mm |
| Width | 86mm |
| Depth | 72mm |
| Flange size vertical in mm | 75mm |
| Flange size horizontal in mm | 75mm |
| Drill hole dist. vertical mm | 60mm |
| Drill hole dist. horizontal mm | 60mm |
| Material of enclosure | Polyamide |
| Contacts | the contact carrier is made of high temperature resistant material, the contacts are brass nickel plated |

| Logistics data | |
|----------------|------------------|
| Weight/pcs | 0.227 kg / Piece |
| Packaging | Bag |

| Logistics data | |
|----------------|---------------|
| Content amount | 1 ST |
| EAN | 4024941133319 |
| Length | 72 mm |
| Width | 86 mm |
| Height | 92 mm |
| Weight | 0.228 kg |
| Volume | 569.664 ccm |
| Packaging | Carton |
| Content amount | 10 ST |
| EAN | 4024941946391 |
| Length | 245 mm |
| Width | 177 mm |
| Height | 185 mm |
| Weight | 2.403 kg |
| Volume | 7,140 ccm |



| Ampere | 16 | 32 | | | | | |
|----------------------------|------|-------|--|--|--|--|--|
| Polzahl | 7 | 7 | | | | | |
| a | 75,0 | 75,0 | | | | | |
| b | 75,0 | 75,0 | | | | | |
| c | 60,0 | 60,0 | | | | | |
| d | 60,0 | 60,0 | | | | | |
| e ø | 5,5 | 5,5 | | | | | |
| f | 7,0 | 8,0 | | | | | |
| h | 17,0 | 19,0 | | | | | |
| i | 57,0 | 65,0 | | | | | |
| k | 93,0 | 106,0 | | | | | |
| l ø | 55,0 | 60,0 | | | | | |
| m | 11,5 | 17,0 | | | | | |
| Leiter mm ² min | 1,5 | 2,5 | | | | | |
| Leiter mm ² max | 4 | 10 | | | | | |