

Panel mounting socket outlet straight - flange 130x130 fixing centers 104x104

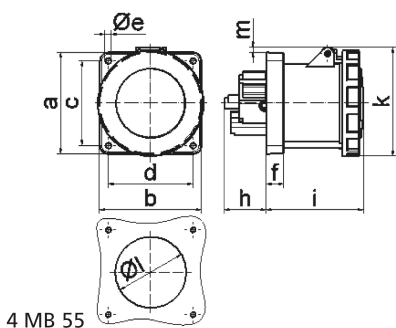


Product description	
BALS-Prd.-Nr	13515
EAN	4024941135153
Product category	Panel mounting socket outlet, straight
Current	125A
Number of poles	4p
Arrangement of phases	3P+PE
Position of earth contact	7 h
Voltage	480 - 500V~

Product description	
Frequency	50/60Hz
Protection degree	IP67
Colour code	black RAL 9005
Colour of appliance	Hinged lid black RAL 9005, Bayonet ring grey RAL 7035, Enclosure grey RAL 7035
Connection design	screw terminal as box terminal with Kontex-contact
Maximum conductor size	70.0 qmm (possible limitation by the used cable entry)
Cable entry	other
Height	130mm
Width	130mm
Depth	166mm
Flange size vertical in mm	130mm
Flange size horizontal in mm	130mm
Drill hole dist. vertical mm	104mm
Drill hole dist. horizontal mm	104mm
Material of enclosure	Polyamide
Contacts	the contact carrier is made of high temperature resistant material, the contacts are brass nickel plated

Logistics data	
Weight/pcs	1.04 kg / Piece
Packaging	Bag

Logistics data	
Content amount	1 ST
EAN	4024941135153
Length	166 mm
Width	130 mm
Height	130 mm
Weight	1.041 kg
Volume	2,805.4 ccm
Packaging	Carton
Content amount	5 ST
EAN	4024941830430
Length	330 mm
Width	216 mm
Height	260 mm
Weight	5.426 kg
Volume	17,062.5 ccm



Ampere Polzahl	125 3	125 4	125 5			
a	130,0	130,0	130,0			
b	130,0	130,0	130,0			
c	104,0	104,0	104,0			
d	104,0	104,0	104,0			
e ø	6,5	6,5	6,5			
f	21,0	21,0	21,0			
h	50,0	50,0	50,0			
i	117,0	117,0	117,0			
k	129,0	129,0	129,0			
l ø	104,0	104,0	104,0			
m	1,0	1,0	1,0			
Leiter mm ² min	25	25	25			
Leiter mm ² max	70	70	70			