

panel mounting socket outlet, straight - flange 62x62,  
fixing centers 47x47

Abbildung ähnlich - similar picture

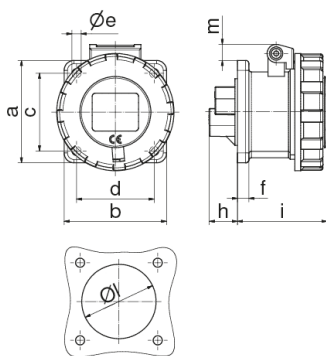


Product description	
BALS-Prd.-Nr	1356
EAN	4024941013567
Product category	Panel mounting socket outlet, straight
Current	16A
Number of poles	3p
Arrangement of phases	2P+PE
Position of earth contact	4 h
Voltage	100 - 130V~

Product description	
Frequency	50/60Hz
Protection degree	IP67
Colour code	yellow RAL 1012
Colour of appliance	Hinged lid yellow RAL 1012, Bayonet ring grey RAL 7035, Enclosure grey RAL 7035
Connection design	with screw terminal
Maximum conductor size	4,0 qmm
Cable entry	other
Height	77mm
Width	71mm
Depth	72mm
Flange size vertical in mm	62mm
Flange size horizontal in mm	62mm
Drill hole dist. vertical mm	47mm
Drill hole dist. horizontal mm	47mm
Material of enclosure	Polyamide
Contacts	The contact carrier is made of polyamide, The contacts are brass

Logistics data	
Weight/pcs	0.127 kg / Piece
Packaging	Bag
Content amount	1 ST

Logistics data	
EAN	4024941013567
Length	72 mm
Width	71 mm
Height	77 mm
Weight	0.128 kg
Volume	393.624 ccm
Packaging	Carton
Content amount	10 ST
EAN	4024941818629
Length	275 mm
Width	175 mm
Height	137 mm
Weight	1.395 kg
Volume	5,737.5 ccm



Ampere	16
Polzahl	3
a	62,0
b	62,0
c	47,0
d	47,0
Ø e	5,5
f	7,0
h	17,0
i	57,0
k	76,0
Ø l	45,0
m	10,0
Leiter mm <sup>2</sup> min	1,5
Leiter mm <sup>2</sup> max	4

Abbildung ähnlich - similar picture