

Panel mounted socket, straight TN - flange 75x75, fixing centers 60x60

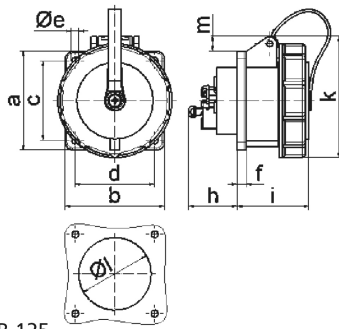


Product description	
BALS-Prd.-Nr	13634
EAN	4024941136341
Product category	TN panel mounting socket outlet Quick-Connect straight
Current	32A
Number of poles	4p
Arrangement of phases	3P+PE
Position of earth contact	6 h
Voltage	380 - 415V~

Product description	
Frequency	50/60Hz
VG-type-no.:	VG 96919 AS 023
Protection degree	IP67
Colour code	bronze-green RAL 6031-F9
Colour of appliance	Hinged lid bronze-green RAL 6031-F9, Enclosure bronze-green RAL 6031-F9, Bayonet ring bronze-green RAL 6031-F9, Enclosure grey RAL 7035
Connection design	screwless spring terminals with Kontex-Kontakt
Maximum conductor size	10,0 qmm
Cable entry	other
Height	97mm
Width	94mm
Depth	116mm
Flange size vertical in mm	75mm
Flange size horizontal in mm	75mm
Drill hole dist. vertical mm	60mm
Drill hole dist. horizontal mm	60mm
Material of enclosure	Polyamide
Contacts	The contact carrier is made of high temperature resistant material, the contacts are brass nickel plated

Additional technical information	
	With bayonet cover on strap

Logistics data	
Weight/pcs	0.265 kg / Piece
Packaging	Bag
Content amount	1 ST
EAN	4024941136341
Length	116 mm
Width	94 mm
Height	97 mm
Weight	0.266 kg
Volume	1,057.688 ccm
Packaging	Carton
Content amount	10 ST
EAN	4024941838191
Length	122 mm
Width	222 mm
Height	538 mm
Weight	2.988 kg
Volume	14,332.32 ccm



4 MB 125

Ampere Polzahl	16 3	16 4	16 5	32 3	32 4	32 5
a	75,0	75,0	75,0	75,0	75,0	75,0
b	75,0	75,0	75,0	75,0	75,0	75,0
c	60,0	60,0	60,0	60,0	60,0	60,0
d	60,0	60,0	60,0	60,0	60,0	60,0
e ø	5,5	5,5	5,5	5,5	5,5	5,5
f	7,0	7,0	7,0	8,0	8,0	8,0
h	35,0	35,0	35,0	50,0	50,0	50,0
i	57,0	57,0	57,0	69,0	69,0	69,0
k	77,0	83,0	93,0	98,0	98,0	107,0
l ø	45,0	75,0	55,0	60,0	60,0	60,0
m	4,0	7,0	12,0	12,0	12,0	17,0
Leiter mm ² min	1,5	1,5	1,5	2,5	2,5	2,5
Leiter mm ² max	4,0	4,0	4,0	10,0	10,0	10,0