

Panel mounting socket outlet straight - flange 75x75 fixing centers 60x60

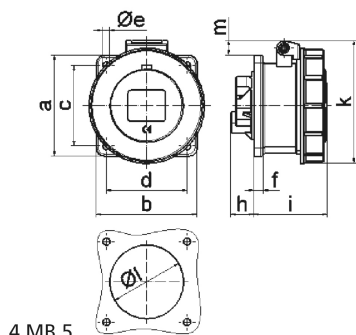


Product description	
BALS-Prd.-Nr	1368
EAN	4024941013680
Product category	Panel mounting socket outlet, straight
Current	32A
Number of poles	5p
Arrangement of phases	3p+N+PE
Position of earth contact	4 h
Voltage	57/100 - 75/130V~

Product description	
Frequency	50/60Hz
Protection degree	IP67
Colour code	yellow RAL 1012
Colour of appliance	Hinged lid yellow RAL 1012, Bayonet ring grey RAL 7035, Enclosure grey RAL 7035
Connection design	with screw terminal
Maximum conductor size	10,0 qmm
Cable entry	other
Height	105mm
Width	101mm
Depth	83mm
Flange size vertical in mm	75mm
Flange size horizontal in mm	75mm
Drill hole dist. vertical mm	60mm
Drill hole dist. horizontal mm	60mm
Material of enclosure	Polyamide
Contacts	the contact carrier is made of polyamide, the contacts are brass

Logistics data	
Weight/pcs	0.285 kg / Piece
Packaging	Bag
Content amount	1 ST

Logistics data	
EAN	4024941013680
Length	83 mm
Width	101 mm
Height	105 mm
Weight	0.286 kg
Volume	880.215 ccm
Packaging	Carton
Content amount	10 ST
EAN	4024941841276
Length	258 mm
Width	183 mm
Height	212 mm
Weight	3.002 kg
Volume	8,750 ccm



Ampere Polzahl	16 3	16 4	16 5	32 3	32 4	32 5
a	75,0	75,0	75,0	75,0	75,0	75,0
b	75,0	75,0	75,0	75,0	75,0	75,0
c	60,0	60,0	60,0	60,0	60,0	60,0
d	60,0	60,0	60,0	60,0	60,0	60,0
e ø	5,5	5,5	5,5	5,5	5,5	5,5
f	7,0	7,0	7,0	8,0	8,0	8,0
h	17,0	26,0	17,0	36,0	36,0	19,0
i	57,0	58,0	57,0	65,0	65,0	65,0
k	76,0	83,0	93,0	100,0	100,0	106,0
l ø	45,0	45,0	55,0	60,0	60,0	60,0
m	3,5	7,0	11,5	12,0	12,0	17,0
Leiter mm ² min	1,5	1,5	1,5	2,5	2,5	2,5
Leiter mm ² max	4	4	4	10	10	10