

panel mounting socket outlet, straight - flange 72x65,  
fixing centers 52x52

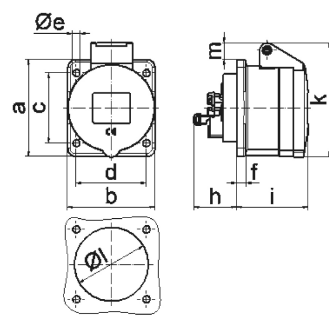


| Product description       |  |
|---------------------------|--|
| BALS-Prd.-Nr              | 13680  |
| EAN                       | 4024941136808  |
| Product category          | Panel mounting socket outlet Quick-Connect, straight |
| Current                   | 16A  |
| Number of poles           | 5p   |
| Arrangement of phases     | 3p+N+PE  |
| Position of earth contact | 9 h  |
| Voltage                   | 120/208 - 144/250V~                                  |

| Product description            |  |
|--------------------------------|--|
| Frequency                      | 50/60Hz  |
| Protection degree              | IP44   |
| Colour code                    | blue RAL 5015  |
| Colour of appliance            | Hinged lid blue RAL 5015, Enclosure grey RAL 7035                |
| Connection design              | screwless spring terminals with Kontex-Kontakt                   |
| Maximum conductor size         | 4,0 qmm  |
| Cable entry                    | other  |
| Height                         | 85mm   |
| Width                          | 65mm   |
| Depth                          | 90mm   |
| Flange size vertical in mm     | 72mm   |
| Flange size horizontal in mm   | 65mm   |
| Drill hole dist. vertical mm   | 52mm   |
| Drill hole dist. horizontal mm | 52mm   |
| Material of enclosure          | Polyamide  |
| Contacts                       | The contact carrier is made of polyamide, The contacts are brass |

| Logistics data |                  |
|----------------|------------------|
| Weight/pcs     | 0.135 kg / Piece |
| Packaging      | Bag              |
| Content amount | 1 ST             |

| Logistics data |               |
|----------------|---------------|
| EAN            | 4024941136808 |
| Length         | 90 mm         |
| Width          | 65 mm         |
| Height         | 85 mm         |
| Weight         | 0.136 kg      |
| Volume         | 4,735.104 ccm |
| Packaging      | Carton        |
| Content amount | 10 ST         |
| EAN            | 4024941828987 |
| Length         | 275 mm        |
| Width          | 175 mm        |
| Height         | 137 mm        |
| Weight         | 1.475 kg      |
| Volume         | 5,737.5 ccm   |



4 MB 100

| Ampere                     | 16   | 16   | 16   |  |  |  |  |
|----------------------------|------|------|------|--|--|--|--|
| Polzahl                    | 3    | 4    | 5    |  |  |  |  |
| a                          | 62,0 | 72,0 | 72,0 |  |  |  |  |
| b                          | 62,0 | 65,0 | 65,0 |  |  |  |  |
| c                          | 47,0 | 52,0 | 52,0 |  |  |  |  |
| d                          | 47,0 | 52,0 | 52,0 |  |  |  |  |
| e ø                        | 5,5  | 5,5  | 5,5  |  |  |  |  |
| f                          | 7,0  | 7,0  | 7,0  |  |  |  |  |
| h                          | 35,5 | 35,5 | 35,5 |  |  |  |  |
| i                          | 51,0 | 53,0 | 53,0 |  |  |  |  |
| k                          | 70,0 | 80,0 | 85,0 |  |  |  |  |
| ø                          | 45,0 | 45,0 | 55,0 |  |  |  |  |
| m                          | 10,0 | 9,0  | 13,0 |  |  |  |  |
| Leiter mm <sup>2</sup> min | 1,5  | 1,5  | 1,5  |  |  |  |  |
| Leiter mm <sup>2</sup> max | 4    | 4    | 4    |  |  |  |  |