

Panel mounting socket outlet straight - flange 75x75 fixing centers 60x60

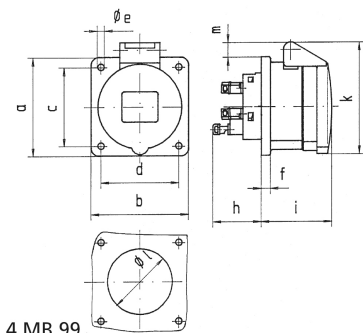


| Product description | |
|---------------------------|--|
| BALS-Prd.-Nr | 13685 |
| EAN | 4024941136853 |
| Product category | Panel mounting socket outlet QUICK-CONNECT, straight |
| Current | 16A |
| Number of poles | 3p |
| Arrangement of phases | 2P+PE |
| Position of earth contact | 4 h |
| Voltage | 100 - 130V~ |

| Product description | |
|--------------------------------|--|
| Frequency | 50/60Hz |
| Protection degree | IP44 |
| Colour code | yellow RAL 1012 |
| Colour of appliance | Hinged lid yellow RAL 1012, Enclosure grey RAL 7035 |
| Connection design | screwless spring terminals with KONTEX-contact |
| Maximum conductor size | 4,0 qmm |
| Cable entry | other |
| Height | 79mm |
| Width | 75mm |
| Depth | 86mm |
| Flange size vertical in mm | 75mm |
| Flange size horizontal in mm | 75mm |
| Drill hole dist. vertical mm | 60mm |
| Drill hole dist. horizontal mm | 60mm |
| Material of enclosure | Polyamide |
| Contacts | the contact carrier is made of polyamide, the contacts are brass |

| Logistics data | |
|----------------|------------------|
| Weight/pcs | 0.102 kg / Piece |
| Packaging | Bag |
| Content amount | 1 ST |

| Logistics data | |
|----------------|---------------|
| EAN | 4024941136853 |
| Length | 86 mm |
| Width | 75 mm |
| Height | 79 mm |
| Weight | 0.103 kg |
| Volume | 509.55 ccm |
| Packaging | Carton |
| Content amount | 10 ST |
| EAN | 4024941828727 |
| Length | 275 mm |
| Width | 175 mm |
| Height | 137 mm |
| Weight | 1.145 kg |
| Volume | 5,737.5 ccm |



4 MB 99

| Ampere | 16 | 16 | 16 | 32 | 32 | 32 |
|----------------------------|------|------|------|------|------|-------|
| Polzahl | 3 | 4 | 5 | 3 | 4 | 5 |
| a | 75,0 | 75,0 | 75,0 | 75,0 | 75,0 | 75,0 |
| b | 75,0 | 75,0 | 75,0 | 75,0 | 75,0 | 75,0 |
| c | 60,0 | 60,0 | 60,0 | 60,0 | 60,0 | 60,0 |
| d | 60,0 | 60,0 | 60,0 | 60,0 | 60,0 | 60,0 |
| e ø | 5,5 | 5,5 | 5,5 | 5,5 | 5,5 | 5,5 |
| f | 7,0 | 7,0 | 7,0 | 8,0 | 8,0 | 8,0 |
| h | 35,5 | 35,5 | 35,5 | 50,0 | 50,0 | 50,0 |
| i | 50,0 | 50,0 | 51,0 | 60,0 | 60,0 | 60,0 |
| k | 74,0 | 84,0 | 91,0 | 94,0 | 94,0 | 102,0 |
| l ø | 45,0 | 45,0 | 55,0 | 60,0 | 60,0 | 60,0 |
| m | 3,5 | 7,0 | 11,5 | 12,0 | 12,0 | 17,0 |
| Leiter mm ² min | 1,5 | 1,5 | 1,5 | 2,5 | 2,5 | 2,5 |
| Leiter mm ² max | 4 | 4 | 4 | 10 | 10 | 10 |