

Panel mounting socket outlet straight - flange 75x75 fixing centers 60x60

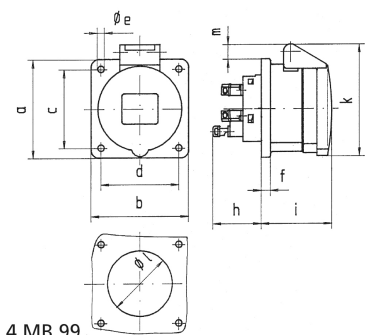


Product description	
BALS-Prd.-Nr	13696
EAN	4024941136969
Product category	Panel mounting socket outlet QUICK-CONNECT, straight
Current	16A
Number of poles	4p
Arrangement of phases	3P+PE
Position of earth contact	2 h
Voltage	> 50V~

Product description	
Frequency	> 300 - 500Hz
Protection degree	IP44
Colour code	green RAL 6002
Colour of appliance	Hinged lid green RAL 6002, Enclosure grey RAL 7035
Connection design	screwless spring terminals with KONTEX-contact
Maximum conductor size	4,0 qmm
Cable entry	other
Height	82mm
Width	75mm
Depth	88mm
Flange size vertical in mm	75mm
Flange size horizontal in mm	75mm
Drill hole dist. vertical mm	60mm
Drill hole dist. horizontal mm	60mm
Material of enclosure	Polyamide
Contacts	the contact carrier is made of polyamide, the contacts are brass

Logistics data	
Weight/pcs	0.117 kg / Piece
Packaging	Bag
Content amount	1 ST

Logistics data	
EAN	4024941136969
Length	88 mm
Width	75 mm
Height	82 mm
Weight	0.118 kg
Volume	1,190.135 ccm
Packaging	Carton
Content amount	10 ST
EAN	4024941828840
Length	245 mm
Width	177 mm
Height	185 mm
Weight	1.303 kg
Volume	7,140 ccm



Ampere	16	16	16	32	32	32
Polzahl	3	4	5	3	4	5
a	75,0	75,0	75,0	75,0	75,0	75,0
b	75,0	75,0	75,0	75,0	75,0	75,0
c	60,0	60,0	60,0	60,0	60,0	60,0
d	60,0	60,0	60,0	60,0	60,0	60,0
e ø	5,5	5,5	5,5	5,5	5,5	5,5
f	7,0	7,0	7,0	8,0	8,0	8,0
h	35,5	35,5	35,5	50,0	50,0	50,0
i	50,0	50,0	51,0	60,0	60,0	60,0
k	74,0	84,0	91,0	94,0	94,0	102,0
l ø	45,0	45,0	55,0	60,0	60,0	60,0
m	3,5	7,0	11,5	12,0	12,0	17,0
Leiter mm ² min	1,5	1,5	1,5	2,5	2,5	2,5
Leiter mm ² max	4	4	4	10	10	10