

## Panel mounting socket outlet straight - flange 75x75 fixing centers 60x60

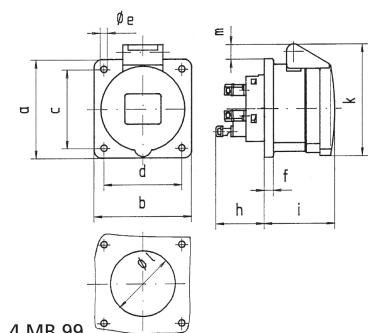


| Product description       |  |
|---------------------------|--|
| BALS-Prd.-Nr              | 13704  |
| EAN                       | 4024941137041  |
| Product category          | Panel mounting socket outlet QUICK-CONNECT, straight |
| Current                   | 32A  |
| Number of poles           | 3p   |
| Arrangement of phases     | 2P+PE  |
| Position of earth contact | 9 h  |
| Voltage                   | 380 - 415V~  |

| Product description            |  |
|--------------------------------|--|
| Frequency                      | 50/60Hz  |
| Protection degree              | IP44   |
| Colour code                    | red RAL 3000   |
| Colour of appliance            | Hinged lid red RAL 3000, Enclosure grey RAL 7035                 |
| Connection design              | screwless spring terminals with KONTEX-contact                   |
| Maximum conductor size         | 10,0 qmm   |
| Cable entry                    | other  |
| Height                         | 90mm   |
| Width                          | 75mm   |
| Depth                          | 89mm   |
| Flange size vertical in mm     | 75mm   |
| Flange size horizontal in mm   | 75mm   |
| Drill hole dist. vertical mm   | 60mm   |
| Drill hole dist. horizontal mm | 60mm   |
| Material of enclosure          | Polyamide  |
| Contacts                       | the contact carrier is made of polyamide, the contacts are brass |

| Logistics data |                  |
|----------------|------------------|
| Weight/pcs     | 0.166 kg / Piece |
| Packaging      | Bag              |
| Content amount | 1 ST             |

| Logistics data |               |
|----------------|---------------|
| EAN            | 4024941137041 |
| Length         | 89 mm         |
| Width          | 75 mm         |
| Height         | 90 mm         |
| Weight         | 0.167 kg      |
| Volume         | 600.75 ccm    |
| Packaging      | Carton        |
| Content amount | 10 ST         |
| EAN            | 4024941826280 |
| Length         | 128 mm        |
| Width          | 225 mm        |
| Height         | 399 mm        |
| Weight         | 1.919 kg      |
| Volume         | 11,491.2 ccm  |



| Ampere                     | 16   | 16   | 16   | 32   | 32   | 32    |
|----------------------------|------|------|------|------|------|-------|
| Polzahl                    | 3    | 4    | 5    | 3    | 4    | 5     |
| a                          | 75,0 | 75,0 | 75,0 | 75,0 | 75,0 | 75,0  |
| b                          | 75,0 | 75,0 | 75,0 | 75,0 | 75,0 | 75,0  |
| c                          | 60,0 | 60,0 | 60,0 | 60,0 | 60,0 | 60,0  |
| d                          | 60,0 | 60,0 | 60,0 | 60,0 | 60,0 | 60,0  |
| e ø                        | 5,5  | 5,5  | 5,5  | 5,5  | 5,5  | 5,5   |
| f                          | 7,0  | 7,0  | 7,0  | 8,0  | 8,0  | 8,0   |
| h                          | 35,5 | 35,5 | 35,5 | 50,0 | 50,0 | 50,0  |
| i                          | 50,0 | 50,0 | 51,0 | 60,0 | 60,0 | 60,0  |
| k                          | 74,0 | 84,0 | 91,0 | 94,0 | 94,0 | 102,0 |
| l ø                        | 45,0 | 45,0 | 55,0 | 60,0 | 60,0 | 60,0  |
| m                          | 3,5  | 7,0  | 11,5 | 12,0 | 12,0 | 17,0  |
| Leiter mm <sup>2</sup> min | 1,5  | 1,5  | 1,5  | 2,5  | 2,5  | 2,5   |
| Leiter mm <sup>2</sup> max | 4    | 4    | 4    | 10   | 10   | 10    |