

panel mounting socket outlet, straight - flange 72x65,
fixing centers 52x52

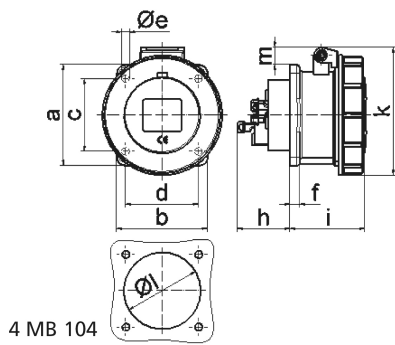


| Product description | |
|---------------------------|--|
| BALS-Prd.-Nr | 13728 |
| EAN | 4024941137287 |
| Product category | Panel mounting socket outlet Quick-Connect, straight |
| Current | 16A |
| Number of poles | 4p |
| Arrangement of phases | 3P+PE |
| Position of earth contact | 10 h |
| Voltage | > 50V~ |

| Product description | |
|--------------------------------|--|
| Frequency | 100 - 300Hz |
| Protection degree | IP67 |
| Colour code | green RAL 6002 |
| Colour of appliance | Hinged lid green RAL 6002, Bayonet ring grey RAL 7035, Enclosure grey RAL 7035 |
| Connection design | screwless spring terminals with Kontex-Kontakt |
| Maximum conductor size | 4,0 qmm |
| Cable entry | other |
| Height | 84mm |
| Width | 79mm |
| Depth | 91mm |
| Flange size vertical in mm | 72mm |
| Flange size horizontal in mm | 65mm |
| Drill hole dist. vertical mm | 52mm |
| Drill hole dist. horizontal mm | 52mm |
| Material of enclosure | Polyamide |
| Contacts | The contact carrier is made of polyamide, The contacts are brass |

| Logistics data | |
|----------------|----------------|
| Weight/pcs | 0.0 kg / Piece |
| Packaging | Bag |
| Content amount | 1 ST |

| Logistics data | |
|----------------|---------------|
| EAN | 4024941137287 |
| Length | 91 mm |
| Width | 79 mm |
| Height | 84 mm |
| Weight | 0.001 kg |
| Volume | 603.876 ccm |



| Ampere Polzahl | 16 3 | 16 4 | 16 5 | | | | |
|----------------------------|---------|---------|---------|--|--|--|--|
| a | 62,0 | 72,0 | 72,0 | | | | |
| b | 62,0 | 65,0 | 65,0 | | | | |
| c | 47,0 | 52,0 | 52,0 | | | | |
| d | 47,0 | 52,0 | 52,0 | | | | |
| e ø | 5,5 | 5,5 | 5,5 | | | | |
| f | 7,0 | 7,0 | 7,0 | | | | |
| h | 35,5 | 35,5 | 35,5 | | | | |
| i | 57,0 | 58,0 | 57,0 | | | | |
| k | 76,0 | 83,0 | 93,0 | | | | |
| l ø | 45,0 | 45,0 | 55,0 | | | | |
| m | 10,0 | 9,0 | 13,0 | | | | |
| Leiter mm ² min | 1,5 | 1,5 | 1,5 | | | | |
| Leiter mm ² max | 4 | 4 | 4 | | | | |