

# wall mounting socket outlet, fused - housing dimension 170x90, with C-type MCB

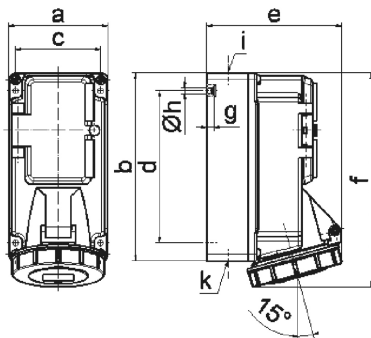


| Product description       |   |
|---------------------------|---|
| BALS-Prd.-Nr              | 1509  |
| EAN                       | 4024941015097                                       |
| Product category          | Quick-Connect TE wall mounting socket outlet, fused |
| Current                   | 16A   |
| Number of poles           | 5p  |
| Arrangement of phases     | 3p+N+PE   |
| Position of earth contact | 6 h   |
| Voltage                   | 200/346 - 240/415V~                                 |

| Product description    |  |
|------------------------|--|
| Frequency              | 50/60Hz  |
| Protection degree      | IP67   |
| Colour code            | red RAL 3000   |
| Colour of appliance    | Hinged lid red RAL 3000, Housing bottom grey RAL 7035, Housing top grey RAL 7035, Operating window smoky topaz, Bayonet ring grey RAL 7035 |
| Connection design      | screwless spring terminals with Kontex-Kontakt   |
| Maximum conductor size | 4,0 qmm  |
| Cable entry            | top entry M20 bottom entry M25/20  |
| Height                 | 195mm  |
| Width                  | 90mm   |
| Depth                  | 123mm  |
| Dimension of enclosure | 170x90 mm (HxW)  |
| Material of enclosure  | Polycarbonate  |
| Contacts               | the contacts are brass nickel plated, The contact carrier is made of high temperature resistant material                                   |

| Additional technical information |   |
|----------------------------------|---|
|                                  | The cable entry is one at top open and two at bottom closed |
|                                  | Lower part of housing rotatable by 180°                     |
|                                  | With 3 pole C-type MCB                                      |

| Logistics data |                |
|----------------|----------------|
| Weight/pcs     | 0.0 kg / Piece |
| Packaging      | Carton         |
| Content amount | 1 ST           |
| EAN            | 4024941015097  |
| Length         | 124 mm         |
| Width          | 91 mm          |
| Height         | 196 mm         |
| Weight         | 0.06 kg        |
| Volume         | 2,211.664 ccm  |



14 MB 6

| Ampere  | 16     | 16     | 16     |  |  |  |
|---------|--------|--------|--------|--|--|--|
| Polzahl | 3      | 4      | 5      |  |  |  |
| a       | 90,0   | 90,0   | 90,0   |  |  |  |
| b       | 170,0  | 170,0  | 170,0  |  |  |  |
| c       | 77,0   | 77,0   | 77,0   |  |  |  |
| d       | 137,5  | 137,5  | 137,5  |  |  |  |
| e       | 108,0  | 115,0  | 121,0  |  |  |  |
| f       | 191,5  | 191,5  | 191,5  |  |  |  |
| g       | 6,0    | 6,0    | 6,0    |  |  |  |
| h ø     | 5,5    | 5,5    | 5,5    |  |  |  |
| i       | M20    | M20    | M20    |  |  |  |
| k       | M20/25 | M20/25 | M20/25 |  |  |  |
|         |        |        |        |  |  |  |
|         |        |        |        |  |  |  |