

## wall mounting socket outlet, fused - housing dimension 170x90, with mounting rail

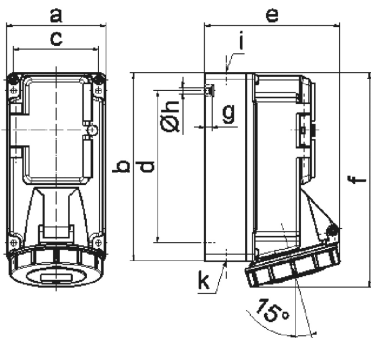


Product description	
BALS-Prd.-Nr	15099
EAN	4024941150996
Product category	Quick-Connect TE wall mounting socket outlet, fused
Current	16A
Number of poles	5p
Arrangement of phases	3p+N+PE
Position of earth contact	9 h
Voltage	120/208 - 144/250V~

Product description	
Frequency	50/60Hz
Protection degree	IP67
Colour code	blue RAL 5015
Colour of appliance	Hinged lid blue RAL 5015, Housing bottom grey RAL 7035, Housing top grey RAL 7035, Operating window smoky topaz, Bayonet ring grey RAL 7035
Connection design	screwless spring terminals with Kontex-Kontakt
Maximum conductor size	4,0 qmm
Cable entry	top entry M20 bottom entry M25/20
Height	195mm
Width	90mm
Depth	123mm
Dimension of enclosure	170x90 mm (HxW)
Material of enclosure	Polycarbonate
Contacts	the contacts are brass nickel plated, The contact carrier is made of polyamide

Additional technical information	
	The cable entry is one at top open and two at bottom closed
	Lower part of housing rotatable by 180°
	With mounting rail, Protective cover for fuses with stamping, With mounting rail for 5 modules, vertical

Logistics data	
Weight/pcs	0.58 kg / Piece
Packaging	Carton
Content amount	1 ST
EAN	4024941150996
Length	124 mm
Width	91 mm
Height	196 mm
Weight	0.64 kg
Volume	2,211.664 ccm



14 MB 6

Ampere	16	16	16			
Polzahl	3	4	5			
a	90,0	90,0	90,0			
b	170,0	170,0	170,0			
c	77,0	77,0	77,0			
d	137,5	137,5	137,5			
e	108,0	115,0	121,0			
f	191,5	191,5	191,5			
g	6,0	6,0	6,0			
h ø	5,5	5,5	5,5			
i	M20	M20	M20			
k	M20/25	M20/25	M20/25			