

Wall mounting socket outlet fused - housing dimensions 260x160 with fuse base D 02



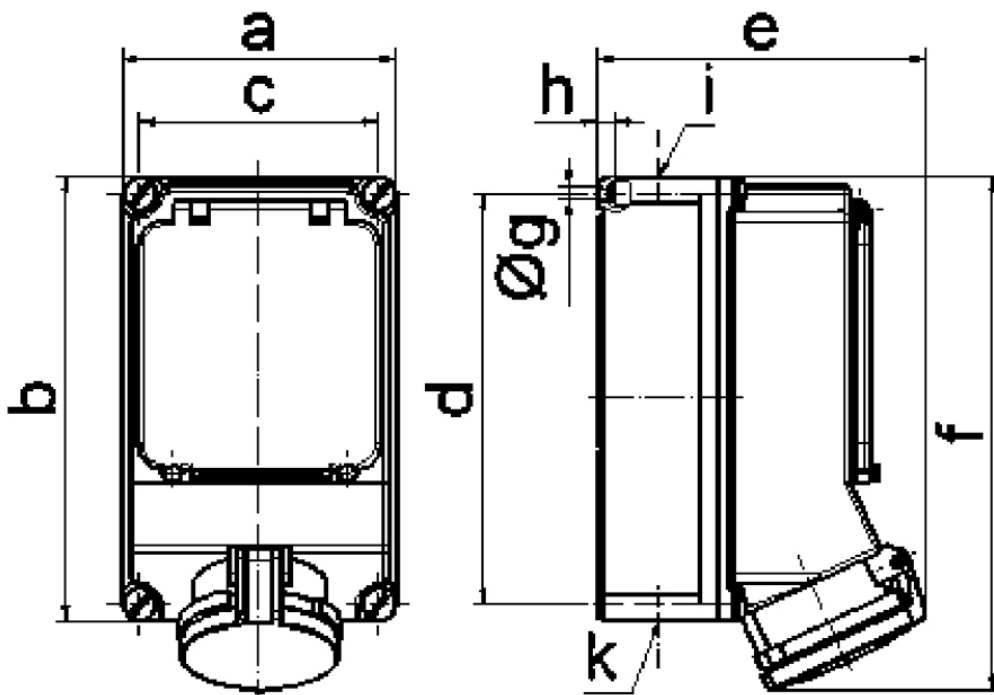
Product description	
BALS-Prd.-Nr	15132
EAN	4024941151320
Product category	Wall mounting socket outlet, fused
Current	32A
Number of poles	5p
Arrangement of phases	3p+N+PE
Position of earth contact	6 h
Voltage	200/346 - 240/415V~

Product description	
Frequency	50/60Hz
Protection degree	IP44
Colour code	red RAL 3000
Colour of appliance	Operating window smoky topaz, Hinged lid red RAL 3000, Housing screws grey RAL 7035, Housing bottom grey RAL 7035, Housing top grey RAL 7035
Connection design	with screw terminal
Maximum conductor size	10,0 qmm
Cable entry	top entry M40 bottom entry M40/M32
Height	287mm
Width	160mm
Depth	165mm
Dimension of enclosure	260x160 mm (HxW)
Material of enclosure	Polycarbonate
Contacts	the contact carrier is made of polyamide, the contacts are brass nickel plated

Additional technical information	
	The cable entry is one at top and two at bottom open
	With fuse base 3 pole D02

Logistics data	
Weight/pcs	1.915 kg / Piece
Packaging	Carton

Logistics data	
Content amount	1 ST
EAN	4024941151320
Length	325 mm
Width	217 mm
Height	210 mm
Weight	2.131 kg
Volume	13,588.4 ccm



14 MB 14