

Wall mounting socket outlet fused - housing dimensions 260x160 with C-type circuit breaker



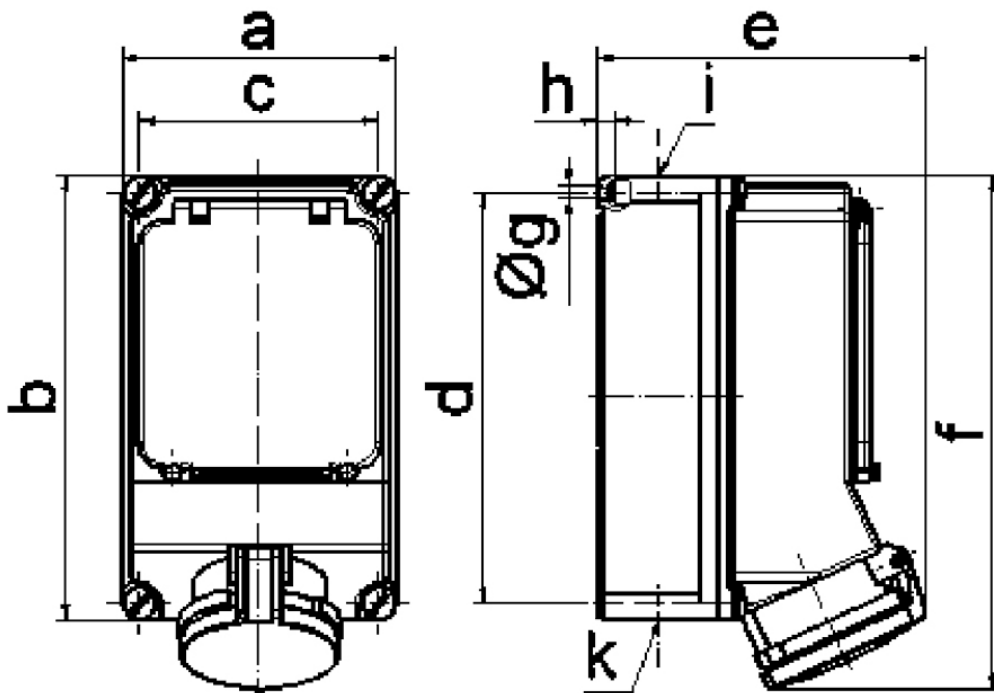
| Product description | |
|---------------------------|---------------------------------------|
| BALS-Prd.-Nr | 15140 |
| EAN | 4024941151405 |
| Product category | TE wall mounting socket outlet, fused |
| Current | 63A |
| Number of poles | 4p |
| Arrangement of phases | 3P+PE |
| Position of earth contact | 6 h |
| Voltage | 380 - 415V~ |

| Product description | |
|------------------------|--|
| Frequency | 50/60Hz |
| Protection degree | IP44 |
| Colour code | red RAL 3000 |
| Colour of appliance | Operating window smoky topaz, Hinged lid red RAL 3000, Housing screws grey RAL 7035, Housing bottom grey RAL 7035, Housing top grey RAL 7035 |
| Connection design | screw terminal as box terminal with Kontex-contact |
| Maximum conductor size | 25.0 qmm |
| Cable entry | top entry M40 bottom entry M40/M32 |
| Height | 303mm |
| Width | 160mm |
| Depth | 185mm |
| Dimension of enclosure | 260x160 mm (HxW) |
| Material of enclosure | Polycarbonate |
| Contacts | the contact carrier is made of high temperature resistant material, the contacts are brass nickel plated |

| Additional technical information | |
|----------------------------------|--|
| | The cable entry is one at top and two at bottom open |
| | With 3 pole C-type MCB |

| Logistics data | |
|----------------|----------------|
| Weight/pcs | 0.0 kg / Piece |

| Logistics data | |
|----------------|---------------|
| Packaging | Carton |
| Content amount | 1 ST |
| EAN | 4024941151405 |
| Length | 325 mm |
| Width | 217 mm |
| Height | 210 mm |
| Weight | 0.216 kg |
| Volume | 13,588.4 ccm |



14 MB 14