

Wall mounting socket outlet fused - housing dimensions 260x160 with mounting rail



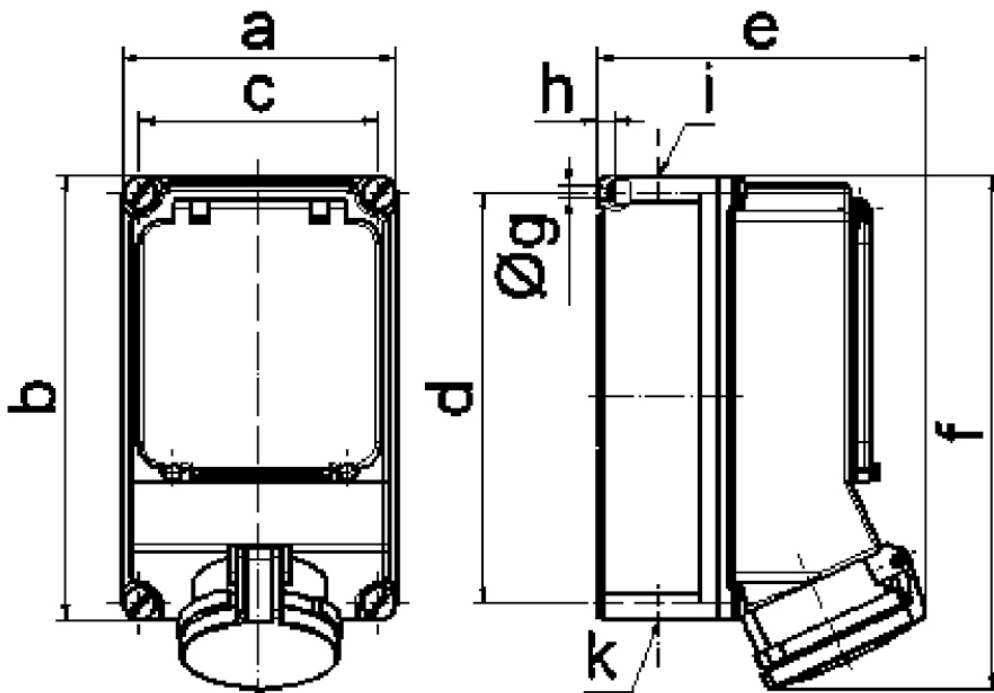
Product description	
BALS-Prd.-Nr	15172
EAN	4024941151726
Product category	QUICK-CONNECT wall mounting socket outlet, fused
Current	32A
Number of poles	4p
Arrangement of phases	3P+PE
Position of earth contact	7 h
Voltage	480 - 500V~

Product description	
Frequency	50/60Hz
Protection degree	IP44
Colour code	black RAL 9005
Colour of appliance	Hinged lid black RAL 9005, Operating window smoky topaz, Housing screws grey RAL 7035, Housing bottom grey RAL 7035, Housing top grey RAL 7035
Connection design	screwless spring terminals with KONTEX-contact
Maximum conductor size	10,0 qmm
Cable entry	top entry M40 bottom entry M40/M32
Height	287mm
Width	160mm
Depth	160mm
Dimension of enclosure	260x160 mm (HxW)
Material of enclosure	Polycarbonate
Contacts	the contact carrier is made of polyamide, the contacts are brass nickel plated

Additional technical information	
	The cable entry is one at top and two at bottom open
	With mounting rail, With mounting rail for 7 modules, vertical, Protective cover for fuses with stamping

Logistics data	
Weight/pcs	0.0 kg / Piece

Logistics data	
Packaging	Carton
Content amount	1 ST
EAN	4024941151726
Length	325 mm
Width	217 mm
Height	210 mm
Weight	0.216 kg
Volume	13,588.4 ccm



14 MB 14