

Wall mounting socket outlet fused - housing dimensions 225x118 with fuse base D 0



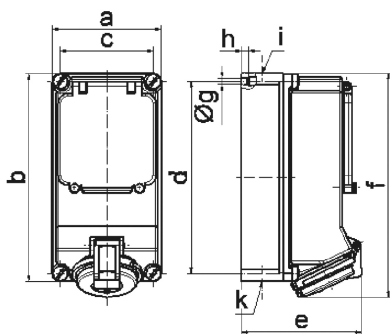
| Product description | |
|---------------------------|--|
| BALS-Prd.-Nr | 1537 |
| EAN | 4024941015370 |
| Product category | QUICK-CONNECT wall mounting socket outlet, fused |
| Current | 32A |
| Number of poles | 3p |
| Arrangement of phases | 2P+PE |
| Position of earth contact | 6 h |
| Voltage | 200 - 250V~ |

| Product description | |
|------------------------|---|
| Frequency | 50/60Hz |
| Protection degree | IP44 |
| Colour code | blue RAL 5015 |
| Colour of appliance | Operating window smoky topaz, Hinged lid blue RAL 5015, Housing screws grey RAL 7035, Housing bottom grey RAL 7035, Housing top grey RAL 7035 |
| Connection design | screwless spring terminals with KONTEX-contact |
| Maximum conductor size | 10,0 qmm |
| Cable entry | top entry M25/M25 bottom entry M25 |
| Height | 251mm |
| Width | 118mm |
| Depth | 135mm |
| Dimension of enclosure | 225x118 mm (HxW) |
| Material of enclosure | Polycarbonate |
| Contacts | the contact carrier is made of high temperature resistant material, the contacts are brass nickel plated |

| Additional technical information | |
|----------------------------------|--|
| | The cable entry is one at top open, one at top is closed, and two at bottom are closed |
| | With fuse base 3 pole D02 |

| Logistics data | |
|----------------|----------------|
| Weight/pcs | 0.0 kg / Piece |

| Logistics data | |
|----------------|---------------|
| Packaging | Carton |
| Content amount | 1 ST |
| EAN | 4024941015370 |
| Length | 275 mm |
| Width | 175 mm |
| Height | 137 mm |
| Weight | 0.125 kg |
| Volume | 5,737.5 ccm |



| Ampere | 16 | 16 | 32 | 32 | 32 |
|---------|---------|---------|---------|---------|---------|
| Polzahl | 4 | 5 | 3 | 4 | 5 |
| a | 118,0 | 118,0 | 118,0 | 118,0 | 118,0 |
| b | 225,0 | 225,0 | 225,0 | 225,0 | 225,0 |
| c | 101,0 | 101,0 | 101,0 | 101,0 | 101,0 |
| d | 208,0 | 208,0 | 208,0 | 208,0 | 208,0 |
| e | 123,0 | 130,0 | 134,0 | 134,0 | 141,0 |
| f | 242,0 | 242,0 | 250,0 | 250,0 | 250,0 |
| g | 6,5 | 6,5 | 6,5 | 6,5 | 6,5 |
| h ø | 8,0 | 8,0 | 8,0 | 8,0 | 8,0 |
| i | 2 x M25 | 2 x M25 | 2 x M25 | 2 x M25 | 2 x M25 |
| k | 2 x M25 | 2 x M25 | 2 x M25 | 2 x M25 | 2 x M25 |

14 MB 13