

Wall mounting socket outlet switched and interlocked - housing dimensions 170x90



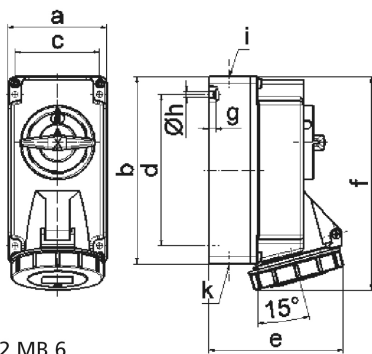
| Product description | |
|---------------------------|--|
| BALS-Prd.-Nr | 160049 |
| EAN | 4024941070270 |
| Product category | Wall mounting socket outlet, switched, interlocked |
| Current | 16A |
| Number of poles | 4p |
| Arrangement of phases | 3P+PE |
| Position of earth contact | 6 h |
| Voltage | 380 - 415V~ |

| Product description | |
|------------------------|--|
| Frequency | 50/60Hz |
| Protection degree | IP67 |
| Colour code | red RAL 3000 |
| Colour of appliance | Hinged lid red RAL 3000, Bayonet ring grey RAL 7035, Housing bottom grey RAL 7035, Housing top grey RAL 7035, Control knob grey RAL 7035 |
| Connection design | screwless spring terminals with KONTEX-contact |
| Maximum conductor size | 4,0 qmm |
| Cable entry | top entry M20 bottom entry M25/20 |
| Height | 194mm |
| Width | 90mm |
| Depth | 115mm |
| Dimension of enclosure | 170x90 mm (HxW) |
| Material of enclosure | Polycarbonate |
| Contacts | the contact carrier is made of polyamide, the contacts are brass nickel plated |

| Additional technical information | |
|----------------------------------|---|
| | The cable entry is one at top open and two at bottom closed |
| | In 0-position lockable for 3 padlocks with bow diameter up to 7 mm, Lower part of housing rotatable by 180° |

| Logistics data | |
|----------------|------------------|
| Weight/pcs | 0.625 kg / Piece |

| Logistics data | |
|----------------|---------------|
| Packaging | Carton |
| Content amount | 1 ST |
| EAN | 4024941070270 |
| Length | 205 mm |
| Width | 102 mm |
| Height | 134 mm |
| Weight | 0.685 kg |
| Volume | 2,118.48 ccm |



12 MB 6

| Ampere | 16 | 16 | 16 | | | |
|---------|--------|--------|--------|--|--|--|
| Polzahl | 3 | 4 | 5 | | | |
| a | 90,0 | 90,0 | 90,0 | | | |
| b | 170,0 | 170,0 | 170,0 | | | |
| c | 77,0 | 77,0 | 77,0 | | | |
| d | 137,5 | 137,5 | 137,5 | | | |
| e | 108,0 | 115,0 | 121,0 | | | |
| f | 191,5 | 191,5 | 191,5 | | | |
| g | 6,0 | 6,0 | 6,0 | | | |
| h ø | 5,5 | 5,5 | 5,5 | | | |
| i | M20 | M20 | M20 | | | |
| k | M20/25 | M20/25 | M20/25 | | | |
| | | | | | | |
| | | | | | | |