

## Wall mounting socket outlet switched and interlocked - 7-pole housing dimensions 260x160



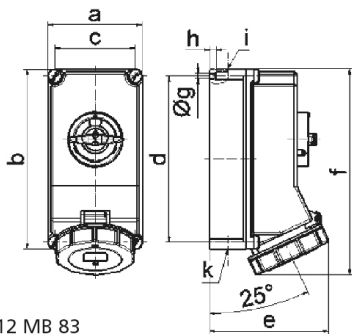
Product description	
BALS-Prd.-Nr	160087
EAN	4024941059466
Product category	TE wall mounting socket outlet, switched, interlocked
Current	32A
Number of poles	7p
Arrangement of phases	6p+PE
Position of earth contact	6 h
Voltage	400V~

Product description	
Frequency	50/60Hz
Protection degree	IP67
Colour code	red RAL 3000
Colour of appliance	Hinged lid red RAL 3000, Bayonet ring grey RAL 7035, Housing screws grey RAL 7035, Housing bottom grey RAL 7035, Housing top grey RAL 7035, Control knob grey RAL 7035
Connection design	with screw terminal
Maximum conductor size	10,0 qmm
Cable entry	top entry M40 bottom entry M40/M32
Height	295mm
Width	160mm
Depth	187mm
Dimension of enclosure	260x160 mm (HxW)
Material of enclosure	Polycarbonate
Contacts	the contact carrier is made of high temperature resistant material, the contacts are brass nickel plated

Additional technical information	
	The cable entry is one at top open and two at bottom closed

Logistics data	
Weight/pcs	1.974 kg / Piece
Packaging	Carton

Logistics data	
Content amount	1 ST
EAN	4024941059466
Length	325 mm
Width	217 mm
Height	210 mm
Weight	2.19 kg
Volume	13,588.4 ccm



Ampere	16	32					
Polzahl	7	7					
a	118,0	118,0					
b	225,0	225,0					
c	101,0	101,0					
d	208,0	208,0					
e	134,0	149,0					
f	245,0	255,0					
g <sup>o</sup>	6,5	6,5					
h	8,0	8,0					
i	2 x M25	2 x M25					
k	2 x M25	2 x M25					