

Wall mounting socket outlet switched and interlocked - housing dimensions 225x118



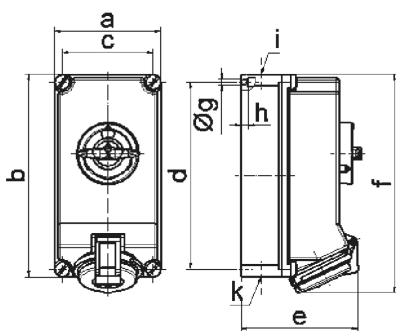
Product description	
BALS-Prd.-Nr	16066
EAN	4024941160667
Product category	Wall mounting socket outlet, switched, interlocked
Current	32A
Number of poles	4p
Arrangement of phases	3P+PE
Position of earth contact	7 h
Voltage	480 - 500V~

Product description	
Frequency	50/60Hz
Protection degree	IP44
Colour code	black RAL 9005
Colour of appliance	Hinged lid black RAL 9005, Housing screws grey RAL 7035, Housing bottom grey RAL 7035, Housing top grey RAL 7035, Control knob grey RAL 7035
Connection design	screwless spring terminals with KONTEX-contact
Maximum conductor size	10,0 qmm
Cable entry	top entry M25/M25 bottom entry M25
Height	251mm
Width	118mm
Depth	137mm
Dimension of enclosure	225x118 mm (HxW)
Material of enclosure	Polycarbonate
Contacts	the contact carrier is made of polyamide, the contacts are brass nickel plated

Additional technical information	
	The cable entry is one at top open, one at top is closed, and two at bottom are closed
	In 0-position lockable for 3 padlocks with bow diameter up to 7 mm

Logistics data	
Weight/pcs	1.185 kg / Piece

Logistics data	
Packaging	Carton
Content amount	1 ST
EAN	4024941160667
Length	275 mm
Width	175 mm
Height	137 mm
Weight	1.31 kg
Volume	5,737.5 ccm



Ampere	16	16	32	32	32
Polzahl	4	5	3	4	5
a	118,0	118,0	118,0	118,0	118,0
b	225,0	225,0	225,0	225,0	225,0
c	101,0	101,0	101,0	101,0	101,0
d	208,0	208,0	208,0	208,0	208,0
e	126,0	134,0	137,0	137,0	144,0
f	242,0	242,0	251,0	251,0	251,0
g ø	6,5	6,5	6,5	6,5	6,5
h	8,0	8,0	8,0	8,0	8,0
i	2 x M25	2 x M25	2 x M25	2 x M25	2 x M25
k	2 x M25	2 x M25	2 x M25	2 x M25	2 x M25