

# Wall mounting socket outlet switched and interlocked - housing dimensions 260x160 with electrical interlocking PSK



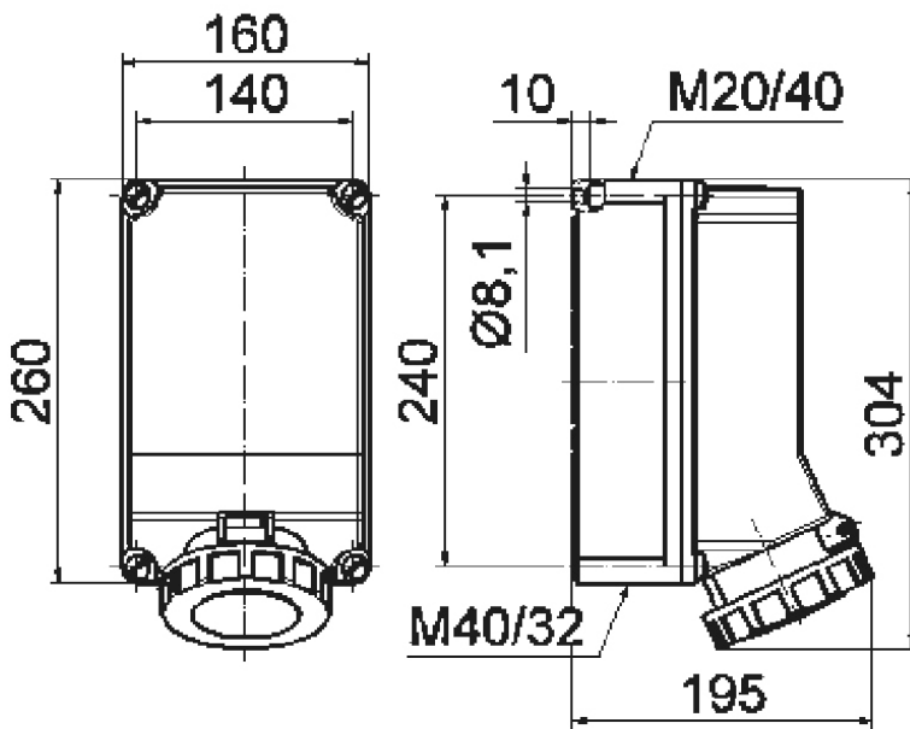
Product description	
BALS-Prd.-Nr	16071
EAN	4024941160711
Product category	TE wall mounting socket outlet, switched, interlocked
Current	63A
Number of poles	4p
Arrangement of phases	3P+PE
Position of earth contact	7 h

Product description	
Voltage	480 - 500V~
Frequency	50/60Hz
Protection degree	IP67
Colour code	black RAL 9005
Colour of appliance	Hinged lid black RAL 9005, Bayonet ring grey RAL 7035, Housing screws grey RAL 7035, Housing bottom grey RAL 7035, Housing top grey RAL 7035
Connection design	screw terminal as box terminal with Kontex-contact
Maximum conductor size	25.0 qmm
Cable entry	top entry M40/M20 bottom entry M40/M32
Height	304mm
Width	160mm
Depth	195mm
Dimension of enclosure	260x160 mm (HxW)
Material of enclosure	Polycarbonate
Contacts	the contact carrier is made of high temperature resistant material, the contacts are brass nickel plated

Additional technical information	
	Electrically interlocked with pilot contact, With DIL contactor, cable entry two at top and two at bottom (open)

Logistics data	
Weight/pcs	0.0 kg / Piece

Logistics data	
Packaging	Carton
Content amount	1 ST
EAN	4024941160711
Length	325 mm
Width	217 mm
Height	210 mm
Weight	0.216 kg
Volume	13,588.4 ccm



1 MB 32