

Wall mounting socket outlet switched and interlocked - housing dimensions 225x118



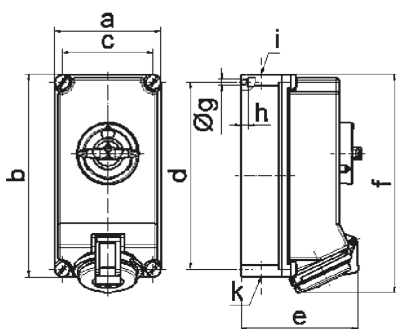
| Product description | |
|---------------------------|---|
| BALS-Prd.-Nr | 16097 |
| EAN | 4024941160971 |
| Product category | TE wall mounting socket outlet, switched, interlocked |
| Current | 32A |
| Number of poles | 3p |
| Arrangement of phases | 2P+PE |
| Position of earth contact | 6 h |
| Voltage | 200 - 250V~ |

| Product description | |
|------------------------|---|
| Frequency | 50/60Hz |
| Protection degree | IP44 |
| Colour code | blue RAL 5015 |
| Colour of appliance | Hinged lid blue RAL 5015, Housing screws grey RAL 7035, Housing bottom grey RAL 7035, Housing top grey RAL 7035, Control knob grey RAL 7035 |
| Connection design | screwless spring terminals with KONTEX-contact |
| Maximum conductor size | 10,0 qmm |
| Cable entry | top entry M25/M25 bottom entry M25 |
| Height | 251mm |
| Width | 118mm |
| Depth | 137mm |
| Dimension of enclosure | 225x118 mm (HxW) |
| Material of enclosure | Polycarbonate |
| Contacts | the contact carrier is made of polyamide, the contacts are brass nickel plated |

| Additional technical information | |
|----------------------------------|--|
| | The cable entry is one at top open, one at top is closed, and two at bottom are closed |
| | In 0-position lockable for 3 padlocks with bow diameter up to 7 mm |

| Logistics data | |
|----------------|-----------------|
| Weight/pcs | 1.17 kg / Piece |

| Logistics data | |
|----------------|---------------|
| Packaging | Carton |
| Content amount | 1 ST |
| EAN | 4024941160971 |
| Length | 275 mm |
| Width | 175 mm |
| Height | 137 mm |
| Weight | 1.295 kg |
| Volume | 5,737.5 ccm |



| Ampere Polzahl | 16 4 | 16 5 | 32 3 | 32 4 | 32 5 |
|----------------|---------|---------|---------|---------|---------|
| a | 118,0 | 118,0 | 118,0 | 118,0 | 118,0 |
| b | 225,0 | 225,0 | 225,0 | 225,0 | 225,0 |
| c | 101,0 | 101,0 | 101,0 | 101,0 | 101,0 |
| d | 208,0 | 208,0 | 208,0 | 208,0 | 208,0 |
| e | 126,0 | 134,0 | 137,0 | 137,0 | 144,0 |
| f | 242,0 | 242,0 | 251,0 | 251,0 | 251,0 |
| g ø | 6,5 | 6,5 | 6,5 | 6,5 | 6,5 |
| h | 8,0 | 8,0 | 8,0 | 8,0 | 8,0 |
| i | 2 x M25 | 2 x M25 | 2 x M25 | 2 x M25 | 2 x M25 |
| k | 2 x M25 | 2 x M25 | 2 x M25 | 2 x M25 | 2 x M25 |