

# wall mounting socket outlet, switched - housing dimensions 260x160

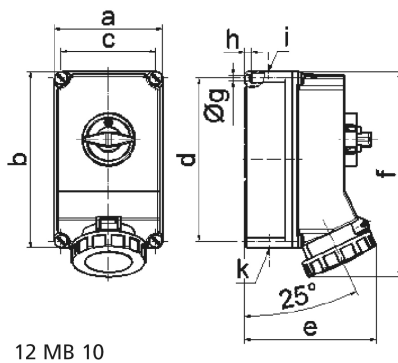


| Product description       |   |
|---------------------------|---|
| BALS-Prd.-Nr              | 16245                                   |
| EAN                       | 4024941162456                           |
| Product category          | TE wall mounting socket outlet switched |
| Current                   | 63A                                     |
| Number of poles           | 4p                                      |
| Arrangement of phases     | 3P+PE                                   |
| Position of earth contact | 7 h                                     |
| Voltage                   | 480 - 500V~                             |

| Product description    |  |
|------------------------|--|
| Frequency              | 50/60Hz  |
| Protection degree      | IP67   |
| Colour code            | black RAL 9005   |
| Colour of appliance    | Hinged lid black RAL 9005, Housing bottom grey RAL 7035, Housing top grey RAL 7035, Housing screws grey RAL 7035, Control knob grey RAL 7035, Bayonet ring grey RAL 7035 |
| Connection design      | screw terminal as box terminal with Kontex-contact   |
| Maximum conductor size | 25.0 qmm   |
| Cable entry            | top entry M40 bottom entry M40/M32   |
| Height                 | 304mm  |
| Width                  | 160mm  |
| Depth                  | 195mm  |
| Dimension of enclosure | 260x160 mm (HxW)   |
| Material of enclosure  | Polycarbonate  |
| Contacts               | The contact carrier is made of high temperature resistant material, the contacts are brass nickel plated   |

| Additional technical information |  |
|----------------------------------|--|
|                                  | The cable entry is one at top open and two at bottom closed        |
|                                  | In 0-position lockable for 4 padlocks with bow diameter up to 7 mm |

| Logistics data |                 |
|----------------|-----------------|
| Weight/pcs     | 2.17 kg / Piece |
| Packaging      | Carton          |
| Content amount | 1 ST            |
| EAN            | 4024941162456   |
| Length         | 326 mm          |
| Width          | 217 mm          |
| Height         | 210 mm          |
| Weight         | 2.386 kg        |
| Volume         | 13,588.4 ccm    |



| Ampere  | 63     | 63     | 63     |  |  |  |  |
|---------|--------|--------|--------|--|--|--|--|
| Polzahl | 3      | 4      | 5      |  |  |  |  |
| a       | 160,0  | 160,0  | 160,0  |  |  |  |  |
| b       | 260,0  | 260,0  | 260,0  |  |  |  |  |
| c       | 140,0  | 140,0  | 140,0  |  |  |  |  |
| d       | 240,0  | 240,0  | 240,0  |  |  |  |  |
| e       | 195,0  | 195,0  | 195,0  |  |  |  |  |
| f       | 304,0  | 304,0  | 304,0  |  |  |  |  |
| g ø     | 8,1    | 8,1    | 8,1    |  |  |  |  |
| h       | 10,0   | 10,0   | 10,0   |  |  |  |  |
| i       | M40    | M40    | M40    |  |  |  |  |
| k       | M32/40 | M32/40 | M32/40 |  |  |  |  |
|         |        |        |        |  |  |  |  |
|         |        |        |        |  |  |  |  |