

Wall mounting socket outlet switched interlocked and fused - for reefer containers housing dimensions 365x134

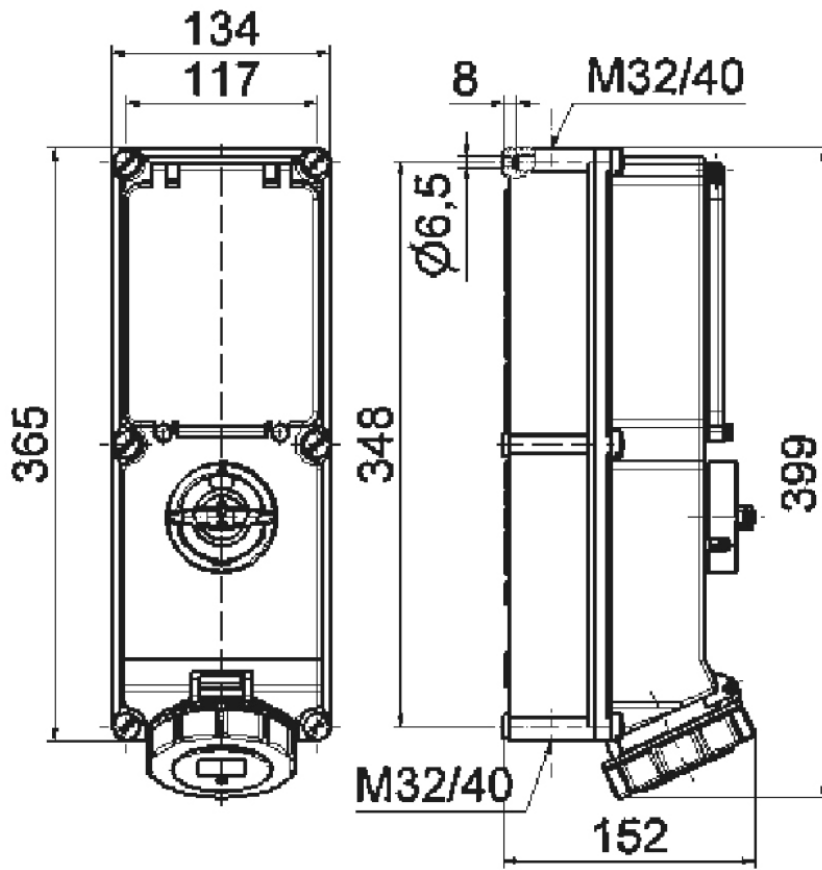


| Product description | |
|---------------------------|---|
| BALS-Prd.-Nr | 17026 |
| EAN | 4024941170260 |
| Product category | Wall mounting socket outlet, switched, interlocked, fused |
| Current | 32A |
| Number of poles | 4p |
| Arrangement of phases | 3P+PE |
| Position of earth contact | 3 h |
| Voltage | 380V~(50Hz) 440V~(60Hz) for reefer containers only |

| Product description | |
|------------------------|--|
| Frequency | 50/60Hz |
| Protection degree | IP67 |
| Colour code | red RAL 3000 |
| Colour of appliance | Operating window smoky topaz, Hinged lid red RAL 3000, Bayonet ring grey RAL 7035, Housing screws grey RAL 7035, Housing bottom grey RAL 7035, Housing top grey RAL 7035, Control knob grey RAL 7035 |
| Connection design | screwless spring terminals with KONTEX-contact |
| Maximum conductor size | 10,0 qmm |
| Cable entry | top entry M40/M32 bottom entry M40/32 |
| Height | 400mm |
| Width | 134mm |
| Depth | 154mm |
| Dimension of enclosure | 365x134 mm (HxW) |
| Material of enclosure | Polycarbonate |
| Contacts | the contact carrier is made of polyamide, the contacts are brass nickel plated |

| Additional technical information | |
|----------------------------------|--|
| | cable entry two at top and two at bottom (open) |
| | In 0-position lockable for 3 padlocks with bow diameter up to 7 mm |
| | With mounting rail, With mounting rail for 6 modules, vertical |

| Logistics data | |
|----------------|------------------|
| Weight/pcs | 2.156 kg / Piece |
| Packaging | Carton |
| Content amount | 1 ST |
| EAN | 4024941170260 |
| Length | 387 mm |
| Width | 222 mm |
| Height | 150 mm |
| Weight | 2.349 kg |
| Volume | 11,029.5 ccm |



12 MB 26