

Wall mounting socket outlet switched interlocked and fused - housing dimensions 365x134 with fuse base D 0

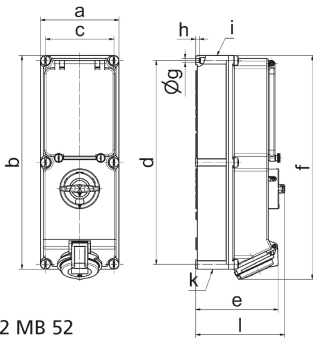


Product description	
BALS-Prd.-Nr	17039
EAN	4024941170390
Product category	Wall mounting socket outlet, switched, interlocked, fused
Current	16A
Number of poles	4p
Arrangement of phases	3P+PE
Position of earth contact	9 h
Voltage	200 - 250V~

Product description	
Frequency	50/60Hz
Protection degree	IP44
Colour code	blue RAL 5015
Colour of appliance	Operating window smoky topaz, Hinged lid blue RAL 5015, Housing screws grey RAL 7035, Housing bottom grey RAL 7035, Housing top grey RAL 7035, Control knob grey RAL 7035
Connection design	screwless spring terminals with KONTEX-contact
Maximum conductor size	4,0 qmm
Cable entry	top entry M32/M25 bottom entry M32/M25
Height	384mm
Width	134mm
Depth	153mm
Dimension of enclosure	365x134 mm (HxW)
Material of enclosure	Polycarbonate
Contacts	the contact carrier is made of polyamide, the contacts are brass nickel plated

Additional technical information	
	cable entry two at top and two at bottom (open)
	In 0-position lockable for 3 padlocks with bow diameter up to 7 mm
	With fuse base 3 pole D01

Logistics data	
Weight/pcs	0.0 kg / Piece
Packaging	Carton
Content amount	1 ST
EAN	4024941170390
Length	387 mm
Width	222 mm
Height	150 mm
Weight	0.193 kg
Volume	11,029.5 ccm



Ampere	16	16	16	32	32	32
Polzahl	3	4	5	3	4	5
a	134,0	134,0	134,0	134,0	134,0	134,0
b	365,0	365,0	365,0	365,0	365,0	365,0
c	117,0	117,0	117,0	117,0	117,0	117,0
d	348,0	348,0	348,0	348,0	348,0	348,0
e	129,0	135,0	141,0	146,0	146,0	152,0
f	384,0	382,0	382,0	391,0	391,0	391,0
g ø	6,5	6,5	6,5	6,5	6,5	6,5
h	8,0	8,0	8,0	8,0	8,0	8,0
i	M25/20	M32/25	M32/25	M40/32	M40/32	M40/32
k	M25/20	M32/25	M32/25	M40/32	M40/32	M40/32
l	156,0	156,0	156,0	156,0	156,0	156,0
Leiter mm ² min	1,5	1,5	1,5	2,5	2,5	2,5
Leiter mm ² max	4	4	4	10	10	10