

wall mounting socket outlet, switched and fused - housing dimensions 365x134, with mounting rail

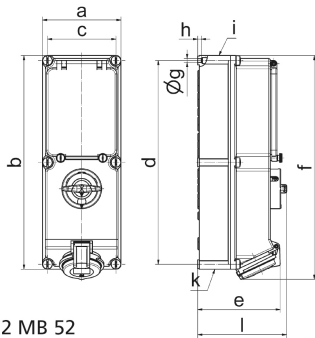


Product description	
BALS-Prd.-Nr	17056
EAN	4024941170567
Product category	TE wall mounting socket outlet switched, fused
Current	16A
Number of poles	5p
Arrangement of phases	3p+N+PE
Position of earth contact	6 h
Voltage	200/346 - 240/415V~

Product description	
Frequency	50/60Hz
Protection degree	IP44
Colour code	red RAL 3000
Colour of appliance	Hinged lid red RAL 3000, Housing bottom grey RAL 7035, Housing top grey RAL 7035, Housing screws grey RAL 7035, Control knob grey RAL 7035, Operating window smoky topaz
Connection design	screwless spring terminals with Kontex-Kontakt
Maximum conductor size	4,0 qmm
Cable entry	top entry M32/M25 bottom entry M32/M25
Height	384mm
Width	134mm
Depth	153mm
Dimension of enclosure	365x134 mm (HxW)
Material of enclosure	Polycarbonate
Contacts	the contacts are brass nickel plated, The contact carrier is made of polyamide

Additional technical information	
	cable entry two at top and two at bottom (open)
	In 0-position lockable for 3 padlocks with bow diameter up to 7 mm
	With mounting rail, With mounting rail for 6 modules, vertical

Logistics data	
Weight/pcs	1.62 kg / Piece
Packaging	Carton
Content amount	1 ST
EAN	4024941170567
Length	387 mm
Width	222 mm
Height	150 mm
Weight	1.813 kg
Volume	11,029.5 ccm



12 MB 52

Ampere Polzahl	16 3	16 4	16 5	32 3	32 4	32 5
a	134,0	134,0	134,0	134,0	134,0	134,0
b	365,0	365,0	365,0	365,0	365,0	365,0
c	117,0	117,0	117,0	117,0	117,0	117,0
d	348,0	348,0	348,0	348,0	348,0	348,0
e	129,0	135,0	141,0	146,0	146,0	152,0
f	384,0	382,0	382,0	391,0	391,0	391,0
g ø	6,5	6,5	6,5	6,5	6,5	6,5
h	8,0	8,0	8,0	8,0	8,0	8,0
i	M25/20	M32/25	M32/25	M40/32	M40/32	M40/32
k	M25/20	M32/25	M32/25	M40/32	M40/32	M40/32
l	156,0	156,0	156,0	156,0	156,0	156,0
Leiter mm ² min	1,5	1,5	1,5	2,5	2,5	2,5
Leiter mm ² max	4	4	4	10	10	10