

wall mounting socket outlet, switched, interlocked and fused - housing dimensions 365x134, with C-type circuit breaker

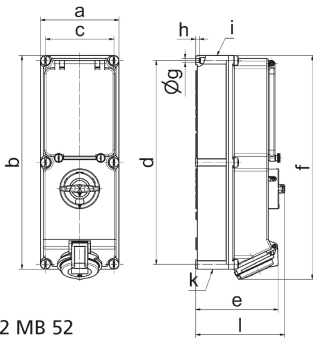


| Product description | |
|---------------------------|---|
| BALS-Prd.-Nr | 17189 |
| EAN | 4024941171892 |
| Product category | Wall mounting socket outlet, switched, interlocked, fused |
| Current | 32A |
| Number of poles | 5p |
| Arrangement of phases | 3p+N+PE |
| Position of earth contact | 6 h |

| Product description | |
|------------------------|--|
| Voltage | 200/346 - 240/415V~ |
| Frequency | 50/60Hz |
| Protection degree | IP44 |
| Colour code | red RAL 3000 |
| Colour of appliance | Hinged lid red RAL 3000, Housing bottom grey RAL 7035, Housing top grey RAL 7035, Housing screws grey RAL 7035, Control knob grey RAL 7035, Operating window smoky topaz |
| Connection design | screwless spring terminals with Kontex-Kontakt |
| Maximum conductor size | 10,0 qmm |
| Cable entry | top entry M40/M32 bottom entry M40/32 |
| Height | 391mm |
| Width | 134mm |
| Depth | 153mm |
| Dimension of enclosure | 365x134 mm (HxW) |
| Material of enclosure | Polycarbonate |
| Contacts | the contacts are brass nickel plated, The contact carrier is made of high temperature resistant material |

| Additional technical information | |
|----------------------------------|--|
| | cable entry two at top and two at bottom (open) |
| | In 0-position lockable for 3 padlocks with bow diameter up to 7 mm |
| | With 3 pole C-type MCB |

| Logistics data | |
|----------------|----------------|
| Weight/pcs | 0.0 kg / Piece |
| Packaging | Carton |
| Content amount | 1 ST |
| EAN | 4024941171892 |
| Length | 387 mm |
| Width | 222 mm |
| Height | 150 mm |
| Weight | 0.193 kg |
| Volume | 11,029.5 ccm |



12 MB 52

| Ampere Polzahl | 16 3 | 16 4 | 16 5 | 32 3 | 32 4 | 32 5 |
|----------------------------|---------|---------|---------|---------|---------|---------|
| a | 134,0 | 134,0 | 134,0 | 134,0 | 134,0 | 134,0 |
| b | 365,0 | 365,0 | 365,0 | 365,0 | 365,0 | 365,0 |
| c | 117,0 | 117,0 | 117,0 | 117,0 | 117,0 | 117,0 |
| d | 348,0 | 348,0 | 348,0 | 348,0 | 348,0 | 348,0 |
| e | 129,0 | 135,0 | 141,0 | 146,0 | 146,0 | 152,0 |
| f | 384,0 | 382,0 | 382,0 | 391,0 | 391,0 | 391,0 |
| g ø | 6,5 | 6,5 | 6,5 | 6,5 | 6,5 | 6,5 |
| h | 8,0 | 8,0 | 8,0 | 8,0 | 8,0 | 8,0 |
| i | M25/20 | M32/25 | M32/25 | M40/32 | M40/32 | M40/32 |
| k | M25/20 | M32/25 | M32/25 | M40/32 | M40/32 | M40/32 |
| l | 156,0 | 156,0 | 156,0 | 156,0 | 156,0 | 156,0 |
| Leiter mm ² min | 1,5 | 1,5 | 1,5 | 2,5 | 2,5 | 2,5 |
| Leiter mm ² max | 4 | 4 | 4 | 10 | 10 | 10 |

