

Wall mounting socket outlet switched fused - housing dimensions 365x134 with fuse base D

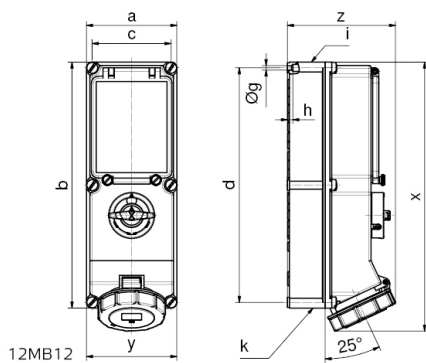


Product description	
BALS-Prd.-Nr	17334
EAN	4024941173346
Product category	TE wall mounting socket outlet switched, fused
Current	16A
Number of poles	4p
Arrangement of phases	3P+PE
Position of earth contact	7 h
Voltage	480 - 500V~

Product description	
Frequency	50/60Hz
Protection degree	IP67
Colour code	black RAL 9005
Colour of appliance	Hinged lid black RAL 9005, Operating window smoky topaz, Bayonet ring grey RAL 7035, Housing screws grey RAL 7035, Housing bottom grey RAL 7035, Housing top grey RAL 7035, Control knob grey RAL 7035
Connection design	screwless spring terminals with KONTEX-contact
Maximum conductor size	4,0 qmm
Cable entry	top entry M32/M25 bottom entry M32/M25
Height	390mm
Width	134mm
Depth	153mm
Dimension of enclosure	365x134 mm (HxW)
Material of enclosure	Polycarbonate
Contacts	the contact carrier is made of high temperature resistant material, the contacts are brass nickel plated

Additional technical information	
	cable entry two at top and two at bottom (open)
	In 0-position lockable for 3 padlocks with bow diameter up to 7 mm
	With fuse base 3 pole D II

Logistics data	
Weight/pcs	2.024 kg / Piece
Packaging	Carton
Content amount	1 ST
EAN	4024941173346
Length	387 mm
Width	222 mm
Height	150 mm
Weight	2.217 kg
Volume	11,029.5 ccm



Ampere	16	16	32	32	63	63
Poles	4	5	4	5	4	5
a	134	134	134	134	180	180
b	365	365	365	365	460	460
c	117	117	117	117	160	460
d	348	348	348	348	440	440
Øg	6,5	6,5	6,5	6,5	8,3	8,3
h	8	8	8	8	6,5	6,5
i	M32/25	M32/25	M40/32	M40/32	M40	M40
k	M32/25	M32/25	M40/32	M40/32	M40/32	M40/32
x	390	390	400	400	503	503
y	134	134	134	134	180	180
z	153	153	154	161	192	192