

Wall mounting socket outlet switched fused - housing dimensions 460x180 with fuse isolator NH 00

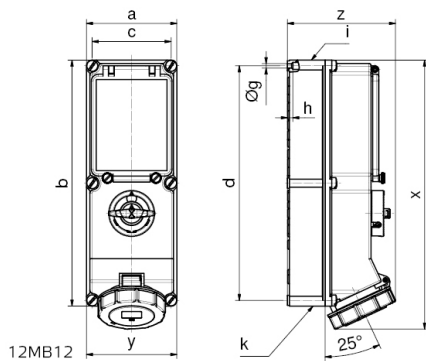


| Product description | |
|---------------------------|--|
| BALS-Prd.-Nr | 17336 |
| EAN | 4024941173360 |
| Product category | TE wall mounting socket outlet switched, fused |
| Current | 63A |
| Number of poles | 4p |
| Arrangement of phases | 3P+PE |
| Position of earth contact | 7 h |
| Voltage | 480 - 500V~ |

| Product description | |
|------------------------|--|
| Frequency | 50/60Hz |
| Protection degree | IP67 |
| Colour code | black RAL 9005 |
| Colour of appliance | Hinged lid black RAL 9005, Operating window smoky topaz, Bayonet ring grey RAL 7035, Housing screws grey RAL 7035, Housing bottom grey RAL 7035, Housing top grey RAL 7035, Control knob grey RAL 7035 |
| Connection design | screw terminal as box terminal with Kontex-contact |
| Maximum conductor size | 25.0 qmm |
| Cable entry | top entry M40 bottom entry M40/M32 |
| Height | 503mm |
| Width | 180mm |
| Depth | 192mm |
| Dimension of enclosure | 460x180 mm (HxW) |
| Material of enclosure | Polycarbonate |
| Contacts | the contact carrier is made of high temperature resistant material, the contacts are brass nickel plated |

| Additional technical information | |
|----------------------------------|--|
| | The cable entry is one at top and two at bottom open |
| | In 0-position lockable for 4 padlocks with bow diameter up to 7 mm |
| | with blade fuse disconnecter NH 00 |

| Logistics data | |
|----------------|-----------------|
| Weight/pcs | 3.65 kg / Piece |
| Packaging | Carton |
| Content amount | 1 ST |
| EAN | 4024941173360 |
| Length | 560 mm |
| Width | 215 mm |
| Height | 260 mm |
| Weight | 4.112 kg |
| Volume | 26,400 ccm |



| Ampere | 16 | 16 | 32 | 32 | 63 | 63 |
|--------|--------|--------|--------|--------|--------|--------|
| Poles | 4 | 5 | 4 | 5 | 4 | 5 |
| a | 134 | 134 | 134 | 134 | 180 | 180 |
| b | 365 | 365 | 365 | 365 | 460 | 460 |
| c | 117 | 117 | 117 | 117 | 160 | 460 |
| d | 348 | 348 | 348 | 348 | 440 | 440 |
| Øg | 6,5 | 6,5 | 6,5 | 6,5 | 8,3 | 8,3 |
| h | 8 | 8 | 8 | 8 | 6,5 | 6,5 |
| i | M32/25 | M32/25 | M40/32 | M40/32 | M40 | M40 |
| k | M32/25 | M32/25 | M40/32 | M40/32 | M40/32 | M40/32 |
| x | 390 | 390 | 400 | 400 | 503 | 503 |
| y | 134 | 134 | 134 | 134 | 180 | 180 |
| z | 153 | 153 | 154 | 161 | 192 | 192 |