

# wall mounting socket outlet, switched, interlocked and fused - housing dimensions 365x134

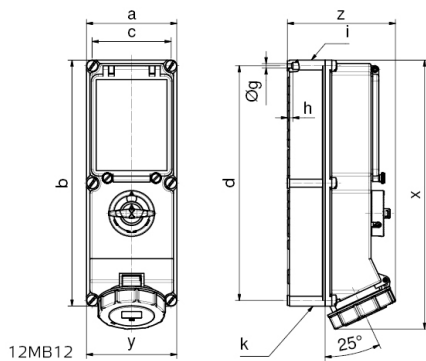


| Product description       |   |
|---------------------------|---|
| BALS-Prd.-Nr              | 17387   |
| EAN                       | 4024941173872   |
| Product category          | TE wall mounting socket outlet switched, interlocked, fused |
| Current                   | 16A   |
| Number of poles           | 3p  |
| Arrangement of phases     | 2P+PE   |
| Position of earth contact | 6 h   |
| Voltage                   | 200 - 250V~   |

| Product description    |   |
|------------------------|---|
| Frequency              | 50/60Hz   |
| Protection degree      | IP67  |
| Colour code            | blue RAL 5015   |
| Colour of appliance    | Hinged lid blue RAL 5015, Housing bottom grey RAL 7035, Housing top grey RAL 7035, Housing screws grey RAL 7035, Control knob grey RAL 7035, Operating window smoky topaz, Bayonet ring grey RAL 7035 |
| Connection design      | screwless spring terminals with Kontex-Kontakt  |
| Maximum conductor size | 4,0 qmm   |
| Cable entry            | 1xM25/20 top, 1xM25/20 bottom   |
| Height                 | 390mm   |
| Width                  | 134mm   |
| Depth                  | 153mm   |
| Dimension of enclosure | 365x134 mm (HxW)  |
| Material of enclosure  | Polycarbonate   |
| Contacts               | The contact carrier is made of high temperature resistant material, the contacts are brass nickel plated  |

| Additional technical information |  |
|----------------------------------|--|
|                                  | The cable entry is one at top open, one at top is closed, and two at bottom are closed |
|                                  | In 0-position lockable for 3 padlocks with bow diameter up to 7 mm                     |
|                                  | With mounting rail, With mounting rail for 6 modules, vertical                         |

| Logistics data |                  |
|----------------|------------------|
| Weight/pcs     | 2.175 kg / Piece |
| Packaging      | Carton           |
| Content amount | 1 ST             |
| EAN            | 4024941173872    |
| Length         | 387 mm           |
| Width          | 222 mm           |
| Height         | 150 mm           |
| Weight         | 2.368 kg         |
| Volume         | 11,029.5 ccm     |



| Ampere | 16     | 16     | 32     | 32     | 63     | 63     |
|--------|--------|--------|--------|--------|--------|--------|
| Poles  | 4      | 5      | 4      | 5      | 4      | 5      |
| a      | 134    | 134    | 134    | 134    | 180    | 180    |
| b      | 365    | 365    | 365    | 365    | 460    | 460    |
| c      | 117    | 117    | 117    | 117    | 160    | 460    |
| d      | 348    | 348    | 348    | 348    | 440    | 440    |
| Øg     | 6,5    | 6,5    | 6,5    | 6,5    | 8,3    | 8,3    |
| h      | 8      | 8      | 8      | 8      | 6,5    | 6,5    |
| i      | M32/25 | M32/25 | M40/32 | M40/32 | M40    | M40    |
| k      | M32/25 | M32/25 | M40/32 | M40/32 | M40/32 | M40/32 |
| x      | 390    | 390    | 400    | 400    | 503    | 503    |
| y      | 134    | 134    | 134    | 134    | 180    | 180    |
| z      | 153    | 153    | 154    | 161    | 192    | 192    |