

Wall mounting socket outlet switched interlocked and fused - housing dimensions 460x180 with C-type circuit breaker

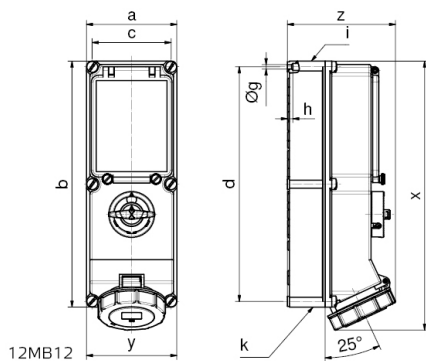


Product description	
BALS-Prd.-Nr	17549
EAN	4024941175494
Product category	Wall mounting socket outlet, switched, interlocked, fused
Current	63A
Number of poles	4p
Arrangement of phases	3P+PE
Position of earth contact	9 h

Product description	
Voltage	200 - 250V~
Frequency	50/60Hz
Protection degree	IP67
Colour code	blue RAL 5015
Colour of appliance	Operating window smoky topaz, Hinged lid blue RAL 5015, Bayonet ring grey RAL 7035, Housing screws grey RAL 7035, Housing bottom grey RAL 7035, Housing top grey RAL 7035, Control knob grey RAL 7035
Connection design	screw terminal as box terminal with Kontex-contact
Maximum conductor size	25.0 qmm
Cable entry	top entry M40 bottom entry M40/M32
Height	503mm
Width	180mm
Depth	192mm
Dimension of enclosure	460x180 mm (HxW)
Material of enclosure	Polycarbonate
Contacts	the contact carrier is made of high temperature resistant material, the contacts are brass nickel plated

Additional technical information	
	The cable entry is one at top and two at bottom open
	In 0-position lockable for 4 padlocks with bow diameter up to 7 mm
	With 3 pole C-type MCB

Logistics data	
Weight/pcs	0.0 kg / Piece
Packaging	Carton
Content amount	1 ST
EAN	4024941175494
Length	560 mm
Width	215 mm
Height	260 mm
Weight	0.462 kg
Volume	26,400 ccm



Ampere Poles	16 4	16 5	32 4	32 5	63 4	63 5
a	134	134	134	134	180	180
b	365	365	365	365	460	460
c	117	117	117	117	160	160
d	348	348	348	348	440	440
Øg	6,5	6,5	6,5	6,5	8,3	8,3
h	8	8	8	8	6,5	6,5
i	M32/25	M32/25	M40/32	M40/32	M40	M40
k	M32/25	M32/25	M40/32	M40/32	M40/32	M40/32
x	390	390	400	400	503	503
y	134	134	134	134	180	180
z	153	153	154	161	192	192