

Wall mounting socket outlet switched interlocked fused -  
chemically resistant - housing dimensions 365x134 with  
fuse base D 0

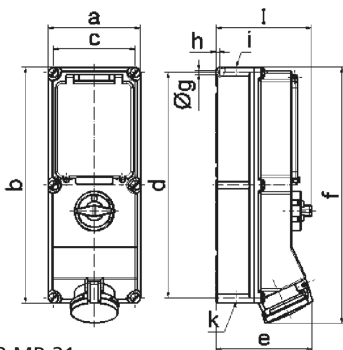


| Product description       |   |
|---------------------------|---|
| BALS-Prd.-Nr              | 17615   |
| EAN                       | 4024941176156   |
| Product category          | TE wall mounting socket outlet switched, interlocked, fused |
| Current                   | 16A   |
| Number of poles           | 5p  |
| Arrangement of phases     | 3p+N+PE   |
| Position of earth contact | 6 h   |

| Product description    |   |
|------------------------|---|
| Voltage                | 200/346 - 240/415V~   |
| Frequency              | 50/60Hz   |
| Protection degree      | IP44  |
| Colour code            | red RAL 3000  |
| Colour of appliance    | Housing top lightbeige, Hinged lid red RAL 3000, Housing bottom lightbeige, Operating window lightbeige, Control knob lightbeige, Housing screws lightbeige |
| Connection design      | screwless spring terminals with KONTEX-contact  |
| Maximum conductor size | 4,0 qmm   |
| Cable entry            | top entry M32/M25 bottom entry M32/M25  |
| Height                 | 384mm   |
| Width                  | 134mm   |
| Depth                  | 153mm   |
| Dimension of enclosure | 365x134 mm (HxW)  |
| Material of enclosure  | Polycarbonate+Polyester light - beige   |
| Contacts               | the contact carrier is made of high temperature resistant material, the contacts are brass nickel plated  |

| Additional technical information |  |
|----------------------------------|--|
|                                  | cable entry two at top and two at bottom (open)                    |
|                                  | In 0-position lockable for 3 padlocks with bow diameter up to 7 mm |
|                                  | With fuse base 3 pole D01  |

| Logistics data |                |
|----------------|----------------|
| Weight/pcs     | 0.0 kg / Piece |
| Packaging      | Carton         |
| Content amount | 1 ST           |
| EAN            | 4024941176156  |
| Length         | 387 mm         |
| Width          | 222 mm         |
| Height         | 150 mm         |
| Weight         | 0.193 kg       |
| Volume         | 11,029.5 ccm   |



12 MB 21

| Ampere  | 16     | 16     | 32     | 32     | 63     | 63     |
|---------|--------|--------|--------|--------|--------|--------|
| Polzahl | 4      | 5      | 4      | 5      | 4      | 5      |
| a       | 134,0  | 134,0  | 134,0  | 134,0  | 180,0  | 180,0  |
| b       | 365,0  | 365,0  | 365,0  | 365,0  | 460,0  | 460,0  |
| c       | 117,0  | 117,0  | 117,0  | 117,0  | 160,0  | 160,0  |
| d       | 348,0  | 348,0  | 348,0  | 348,0  | 440,0  | 440,0  |
| e       | 135,0  | 141,0  | 146,0  | 152,0  | 184,0  | 184,0  |
| f       | 382,0  | 382,0  | 391,0  | 391,0  | 500,0  | 500,0  |
| g Ø     | 6,5    | 6,5    | 6,5    | 6,5    | 8,3    | 8,3    |
| h       | 8,0    | 8,0    | 8,0    | 8,0    | 6,5    | 6,5    |
| i       | M25/32 | M25/32 | M32/40 | M32/40 | M40    | M40    |
| k       | M25/32 | M25/32 | M32/40 | M32/40 | M32/40 | M32/40 |
| l       | 156,0  | 156,0  | 156,0  | 156,0  | 189,0  | 189,0  |