

# Wall mounting socket outlet switched interlocked fused - chemically resistant - housing dimensions 365x134 with C-type circuit breaker

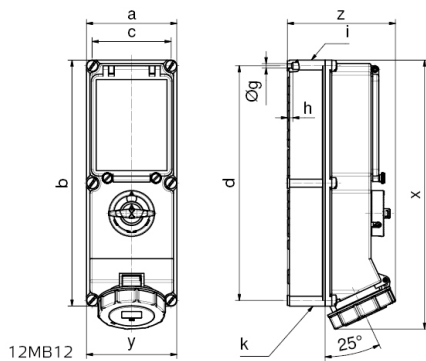


| Product description       |   |
|---------------------------|---|
| BALS-Prd.-Nr              | 17663   |
| EAN                       | 4024941176637   |
| Product category          | TE wall mounting socket outlet switched, interlocked, fused |
| Current                   | 16A   |
| Number of poles           | 5p  |
| Arrangement of phases     | 3p+N+PE   |
| Position of earth contact | 6 h   |

| Product description    |  |
|------------------------|--|
| Voltage                | 200/346 - 240/415V~  |
| Frequency              | 50/60Hz  |
| Protection degree      | IP67   |
| Colour code            | red RAL 3000   |
| Colour of appliance    | Bayonet ring lightbeige, Housing top lightbeige, Hinged lid red RAL 3000, Housing bottom lightbeige, Operating window lightbeige, Control knob lightbeige, Housing screws lightbeige |
| Connection design      | screwless spring terminals with KONTEX-contact   |
| Maximum conductor size | 4,0 qmm  |
| Cable entry            | top entry M32/M25 bottom entry M32/M25   |
| Height                 | 390mm  |
| Width                  | 134mm  |
| Depth                  | 153mm  |
| Dimension of enclosure | 365x134 mm (HxW)   |
| Material of enclosure  | Polycarbonate+Polyester light - beige  |
| Contacts               | the contact carrier is made of high temperature resistant material, the contacts are brass nickel plated   |

| Additional technical information |  |
|----------------------------------|--|
|                                  | cable entry two at top and two at bottom (open)                    |
|                                  | In 0-position lockable for 3 padlocks with bow diameter up to 7 mm |
|                                  | With 3 pole C-type MCB   |

| Logistics data |                |
|----------------|----------------|
| Weight/pcs     | 0.0 kg / Piece |
| Packaging      | Carton         |
| Content amount | 1 ST           |
| EAN            | 4024941176637  |
| Length         | 387 mm         |
| Width          | 222 mm         |
| Height         | 150 mm         |
| Weight         | 0.193 kg       |
| Volume         | 11,029.5 ccm   |



| Ampere | 16     | 16     | 32     | 32     | 63     | 63     |
|--------|--------|--------|--------|--------|--------|--------|
| Poles  | 4      | 5      | 4      | 5      | 4      | 5      |
| a      | 134    | 134    | 134    | 134    | 180    | 180    |
| b      | 365    | 365    | 365    | 365    | 460    | 460    |
| c      | 117    | 117    | 117    | 117    | 160    | 460    |
| d      | 348    | 348    | 348    | 348    | 440    | 440    |
| Øg     | 6,5    | 6,5    | 6,5    | 6,5    | 8,3    | 8,3    |
| h      | 8      | 8      | 8      | 8      | 6,5    | 6,5    |
| i      | M32/25 | M32/25 | M40/32 | M40/32 | M40    | M40    |
| k      | M32/25 | M32/25 | M40/32 | M40/32 | M40/32 | M40/32 |
| x      | 390    | 390    | 400    | 400    | 503    | 503    |
| y      | 134    | 134    | 134    | 134    | 180    | 180    |
| z      | 153    | 153    | 154    | 161    | 192    | 192    |