

wall mounting socket outlet, switched and fused - housing dimensions 365x134, with fuse base D 0

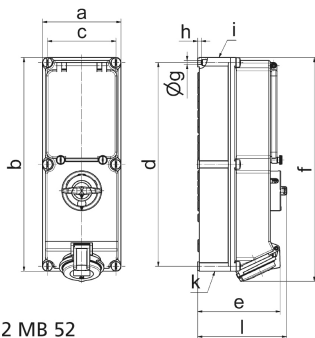


| Product description | |
|---------------------------|--|
| BALS-Prd.-Nr | 1775 |
| EAN | 4024941017756 |
| Product category | TE wall mounting socket outlet switched, fused |
| Current | 16A |
| Number of poles | 4p |
| Arrangement of phases | 3P+PE |
| Position of earth contact | 6 h |
| Voltage | 380 - 415V~ |

| Product description | |
|------------------------|--|
| Frequency | 50/60Hz |
| Protection degree | IP44 |
| Colour code | red RAL 3000 |
| Colour of appliance | Hinged lid red RAL 3000, Housing bottom grey RAL 7035, Housing top grey RAL 7035, Housing screws grey RAL 7035, Control knob grey RAL 7035, Operating window smoky topaz |
| Connection design | screwless spring terminals with Kontex-Kontakt |
| Maximum conductor size | 4,0 qmm |
| Cable entry | top entry M32/M25 bottom entry M32/M25 |
| Height | 384mm |
| Width | 134mm |
| Depth | 153mm |
| Dimension of enclosure | 365x134 mm (HxW) |
| Material of enclosure | Polycarbonate |
| Contacts | the contacts are brass nickel plated, The contact carrier is made of high temperature resistant material |

| Additional technical information | |
|----------------------------------|--|
| | cable entry two at top and two at bottom (open) |
| | In 0-position lockable for 3 padlocks with bow diameter up to 7 mm |
| | With fuse base 3 pole D01 |

| Logistics data | |
|----------------|------------------|
| Weight/pcs | 1.814 kg / Piece |
| Packaging | Carton |
| Content amount | 1 ST |
| EAN | 4024941017756 |
| Length | 387 mm |
| Width | 222 mm |
| Height | 150 mm |
| Weight | 2.007 kg |
| Volume | 11,029.5 ccm |



| Ampere | 16 | 16 | 16 | 32 | 32 | 32 |
|----------------------------|--------|--------|--------|--------|--------|--------|
| Polzahl | 3 | 4 | 5 | 3 | 4 | 5 |
| a | 134,0 | 134,0 | 134,0 | 134,0 | 134,0 | 134,0 |
| b | 365,0 | 365,0 | 365,0 | 365,0 | 365,0 | 365,0 |
| c | 117,0 | 117,0 | 117,0 | 117,0 | 117,0 | 117,0 |
| d | 348,0 | 348,0 | 348,0 | 348,0 | 348,0 | 348,0 |
| e | 129,0 | 135,0 | 141,0 | 146,0 | 146,0 | 152,0 |
| f | 384,0 | 382,0 | 382,0 | 391,0 | 391,0 | 391,0 |
| g ø | 6,5 | 6,5 | 6,5 | 6,5 | 6,5 | 6,5 |
| h | 8,0 | 8,0 | 8,0 | 8,0 | 8,0 | 8,0 |
| i | M25/20 | M32/25 | M32/25 | M40/32 | M40/32 | M40/32 |
| k | M25/20 | M32/25 | M32/25 | M40/32 | M40/32 | M40/32 |
| l | 156,0 | 156,0 | 156,0 | 156,0 | 156,0 | 156,0 |
| Leiter mm ² min | 1,5 | 1,5 | 1,5 | 2,5 | 2,5 | 2,5 |
| Leiter mm ² max | 4 | 4 | 4 | 10 | 10 | 10 |