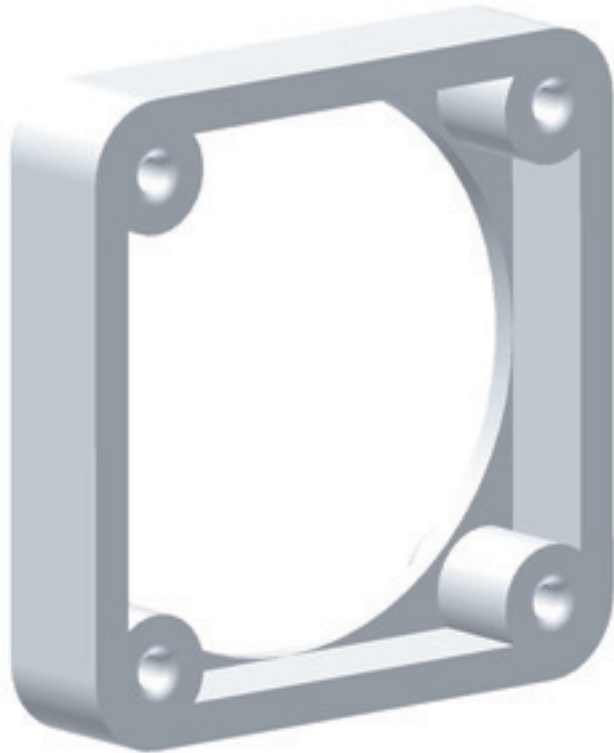


## Accessories sockets - 52x52

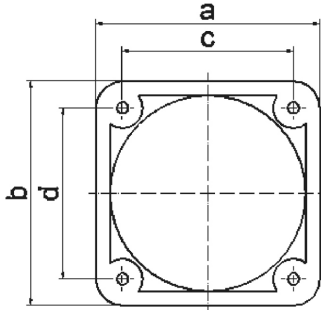


| Product description          |                |
|------------------------------|----------------|
| BALS-Prd.-Nr                 | 1850           |
| EAN                          | 4024941018500  |
| Product category             | Mounting frame |
| Colour code                  | grey RAL 7035  |
| Height                       | 62mm           |
| Width                        | 62mm           |
| Depth                        | 10mm           |
| Flange size vertical in mm   | 62mm           |
| Flange size horizontal in mm | 62mm           |

| Product description            |           |
|--------------------------------|-----------|
| Drill hole dist. vertical mm   | 52mm      |
| Drill hole dist. horizontal mm | 52mm      |
| Material of enclosure          | Polyamide |

| Logistics data |                  |
|----------------|------------------|
| Weight/pcs     | 0.015 kg / Piece |
| Packaging      | Bag              |
| Content amount | 1 ST             |
| EAN            | 4024941018500    |
| Length         | 11 mm            |
| Width          | 63 mm            |
| Height         | 63 mm            |
| Weight         | 0.016 kg         |
| Volume         | 43.659 ccm       |
| Packaging      | Carton           |
| Content amount | 100 ST           |
| EAN            | 4024941327015    |
| Length         | 275 mm           |
| Width          | 175 mm           |
| Height         | 137 mm           |
| Weight         | 1.625 kg         |

| Logistics data |             |
|----------------|-------------|
| Volume         | 5,737.5 ccm |



| a  | b  | c  | d  | e  | Bestell-Nr. |
|----|----|----|----|----|-------------|
| 50 | 50 | 38 | 38 | 13 | 1843        |
| 54 | 54 | 44 | 44 | 10 | 1847        |
| 57 | 66 | 47 | 47 | 10 | 1848        |
| 60 | 60 | 50 | 50 | 10 | 1849        |
| 62 | 62 | 52 | 52 | 10 | 1850        |
| 62 | 70 | 52 | 60 | 10 | 1851        |

30 MB 182