

# Plug - INNOLINQ lead-free with QUICK-CONNECT and MULTI-GRIP



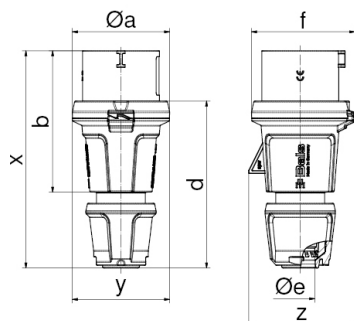
Product description	
BALS-Prd.-Nr	201
EAN	4024941346016
Product category	Plug INNOLINQ QC
Current	32A
Number of poles	5p
Arrangement of phases	3p+N+PE
Position of earth contact	6 h
Voltage	200/346 - 240/415V~

Product description	
Frequency	50/60Hz
Protection degree	IP54
Colour code	red RAL 3000
Colour of appliance	Collar red RAL 3000, Cable gland dark grey RAL 7012, Housing cover dark grey RAL 7012
Connection design	screwless spring terminals with KONTEX-ULTRA contact
Maximum conductor size	6,0 qmm
Cable entry	with cable gland
Height	191mm
Width	80mm
Depth	89mm
Material of enclosure	Polyamide
Contacts	the contacts are brass, the contact carrier is made of high temperature resistant material

Additional technical information	
	this product is without any lead
	MULTI-GRIP cable gland with gasket and integrated strain relief, Screwless housing connection with snap fastening, For cable diameter from 13 up to max. 29 mm

Logistics data	
Weight/pcs	0.312 kg / Piece
Packaging	Bag

Logistics data	
Content amount	1 ST
EAN	4024941346016
Length	89 mm
Width	80 mm
Height	191 mm
Weight	0.313 kg
Volume	1,359.92 ccm
Packaging	Carton
Content amount	10 ST
EAN	4024941346023
Length	387 mm
Width	222 mm
Height	150 mm
Weight	3.313 kg
Volume	11,029.5 ccm



Ampere Polzahl	16 3	16 5	32 3	32 4	32 5
$\varnothing a$	59,0	71,0	80,0	80,0	80,0
$b$	94,0	103,0	124,0	124,0	124,0
$d$	109,0	123,0	145,0	145,0	145,0
$\varnothing e$	18,0	21,0	29,0	29,0	29,0
$f$	63,0	76,0	85,0	85,0	85,0
$x$	145,0	160,0	191,0	191,0	191,0
$y$	59,0	71,0	80,0	80,0	80,0
$z$	64,0	78,0	85,0	85,0	89,0
Cond. mm <sup>2</sup> min	1	1	2,5	2,5	2,5
Cond. mm <sup>2</sup> max	2,5	2,5	6,0	6,0	6,0