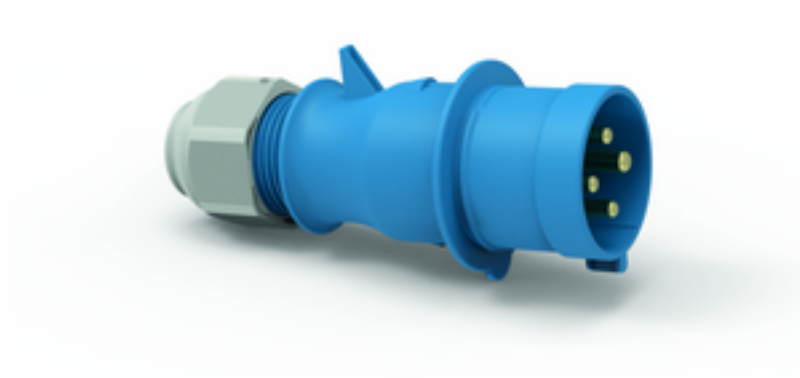


plug - with screw terminals one piece housing



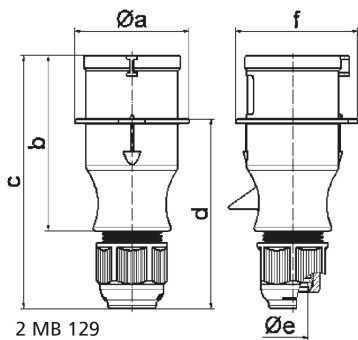
| Product description | |
|---------------------------|--------------------------------------|
| BALS-Prd.-Nr | 21016-TLS |
| EAN | 4024941199216 |
| Product category | TLS plug with Multi-Grip cable gland |
| Current | 32A |
| Number of poles | 4p |
| Arrangement of phases | 3P+PE |
| Position of earth contact | 9 h |
| Voltage | 200 - 250V~ |
| Frequency | 50/60Hz |

| Product description | |
|------------------------|--|
| Protection degree | IP44 |
| Colour code | blue RAL 5015 |
| Colour of appliance | Enclosure blue RAL 5015, Cable gland grey RAL 7035 |
| Connection design | with screw terminal |
| Maximum conductor size | 6,0 qmm |
| Cable entry | with cable gland |
| Height | 167mm |
| Width | 71mm |
| Depth | 81mm |
| Material of enclosure | Polyamide |
| Contacts | The contact carrier is made of polyamide, The contacts are brass |

| Additional technical information | |
|----------------------------------|---|
| | Multi-Grip cable gland with gasket and integrated strain relief, one piece housing, For cable diameter from 11 up to max. 23,5 mm |

| Logistics data | |
|----------------|------------------|
| Weight/pcs | 0.216 kg / Piece |
| Packaging | Bag |
| Content amount | 1 ST |
| EAN | 4024941199216 |

| Logistics data | |
|----------------|---------------|
| Length | 81 mm |
| Width | 71 mm |
| Height | 167 mm |
| Weight | 0.217 kg |
| Volume | 960.417 ccm |
| Packaging | Carton |
| Content amount | 10 ST |
| EAN | 4024941826839 |
| Length | 245 mm |
| Width | 177 mm |
| Height | 185 mm |
| Weight | 2.293 kg |
| Volume | 7,140 ccm |



| Ampere | 16 | 16 | 16 | 32 | 32 | 32 |
|----------------------------|-------|-------|-------|-------|-------|-------|
| Polzahl | 3 | 4 | 5 | 3 | 4 | 5 |
| a ø | 54,0 | 60,0 | 66,0 | 71,0 | 71,0 | 80,0 |
| b | 94,5 | 98,0 | 101,0 | 115,0 | 115,0 | 119,0 |
| c | 138,0 | 142,0 | 145,0 | 170,0 | 170,0 | 174,0 |
| d | 101,5 | 105,5 | 108,5 | 124,0 | 124,0 | 128,0 |
| e ø | 18,0 | 18,0 | 18,0 | 23,0 | 23,0 | 23,0 |
| f | 56,6 | 64,0 | 71,0 | 76,0 | 76,0 | 85,0 |
| Leiter mm ² min | 1 | 1 | 1 | 2,5 | 2,5 | 2,5 |
| Leiter mm ² max | 2,5 | 2,5 | 2,5 | 6 | 6 | 6 |
| | | | | | | |
| | | | | | | |
| | | | | | | |

